

LEGEND:
 CTX - Heating contactor
 KAI - Relay - request for heat - gas heating
 KAI - Option - Relay for cooling clock control - steam heating
 KA2 - Relay - reset gas ignition
 SV1 - steam valve
 (E) - electrical heating
 (G) - gas heating
 (S) - steam heating

Processor Control NF1
 Input 20 POWER
 BUSY signal NO contact (CPS custom design)
 BUSY signal 24VAC (external payment system)
 Heating 1
 Heating 2 (E)
 Reset (G)
 Option: Cooling (S)
 Motor+fan
 Motor left
 Motor right
 Fan
 Reserve
 Air flow On
 Motor Fail
 Fan Fail

Machine types where used				Tolerance		Ra	
T-Dryers							
		Date	Name				
K	BUSY option NO cont.	28.feb20	PSt 5484	Author	28Aug02	PKK	
J	el.coin wire color	12may08	PSt	Approv.			
I	KL1 connection	17dec07	PSt 0010	Releas.			
H	Special Price	24mar06	PSt 00010				
G	Electronic coin	19apr05	PSt 00010				
F	T24-35 add	28jan05	PSt 00010				
E	External payment	23aug.04	PSt 00010				
Stat	Modification	Date	Name	Proj.			

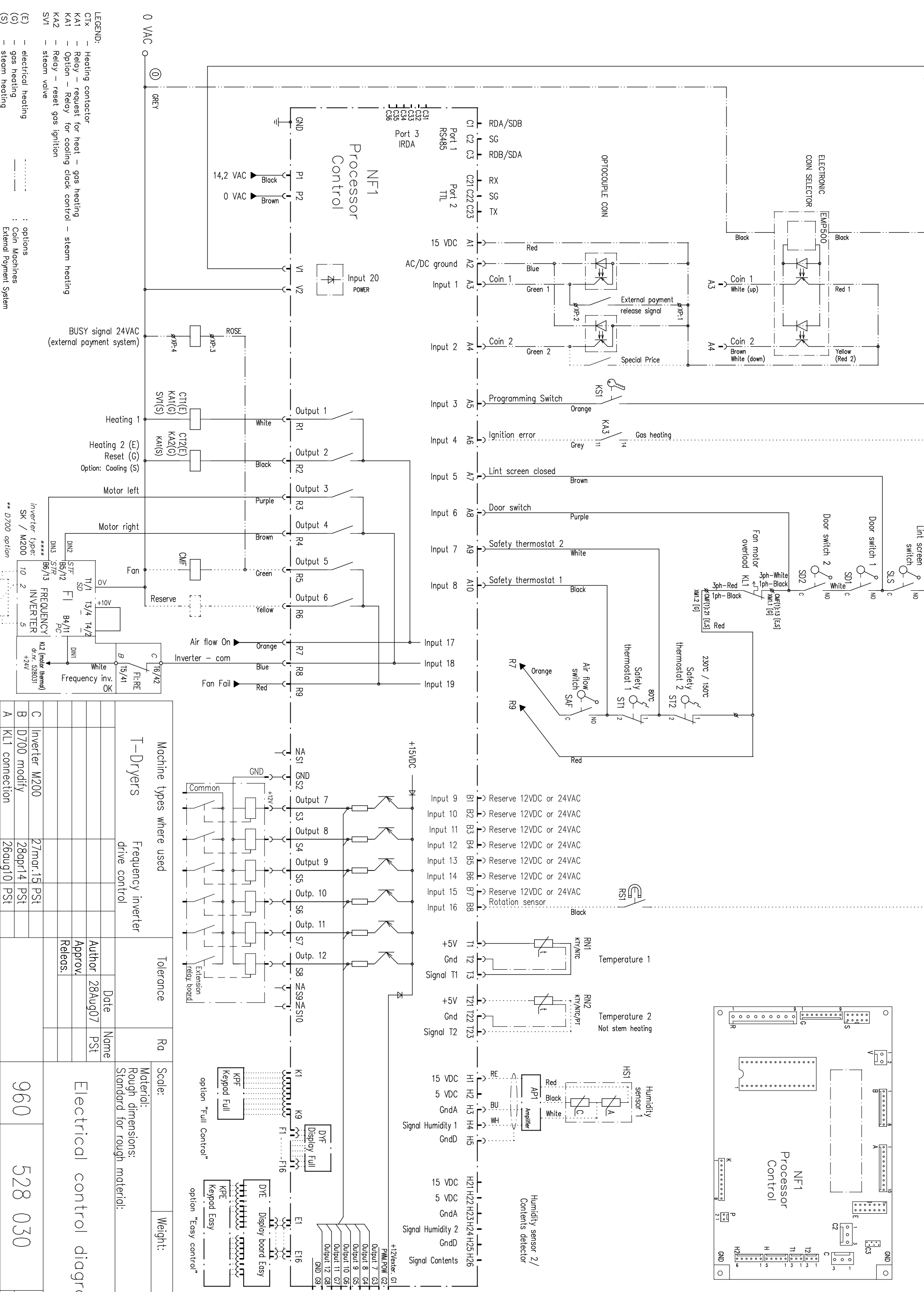
Scale: _____ Weight: _____
 Material: _____
 Rough dimensions: _____
 Standard for rough material: _____

Electrical control diagram

Replaces: 960 501 895
 Replaced by: _____

Page: 1
 Pages: 1

24 VAC (1)

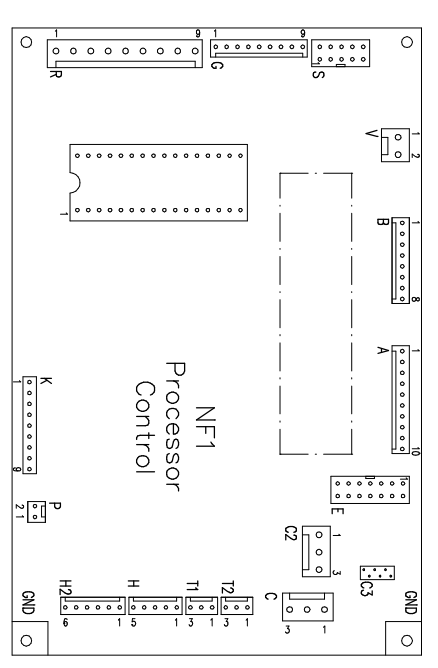


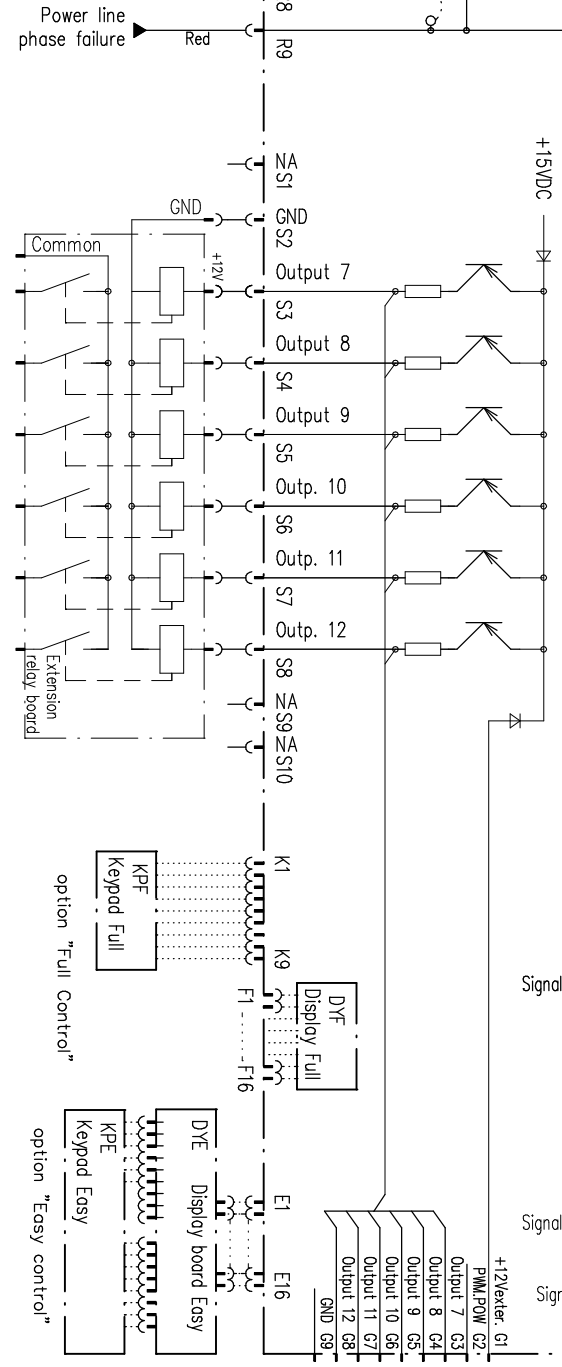
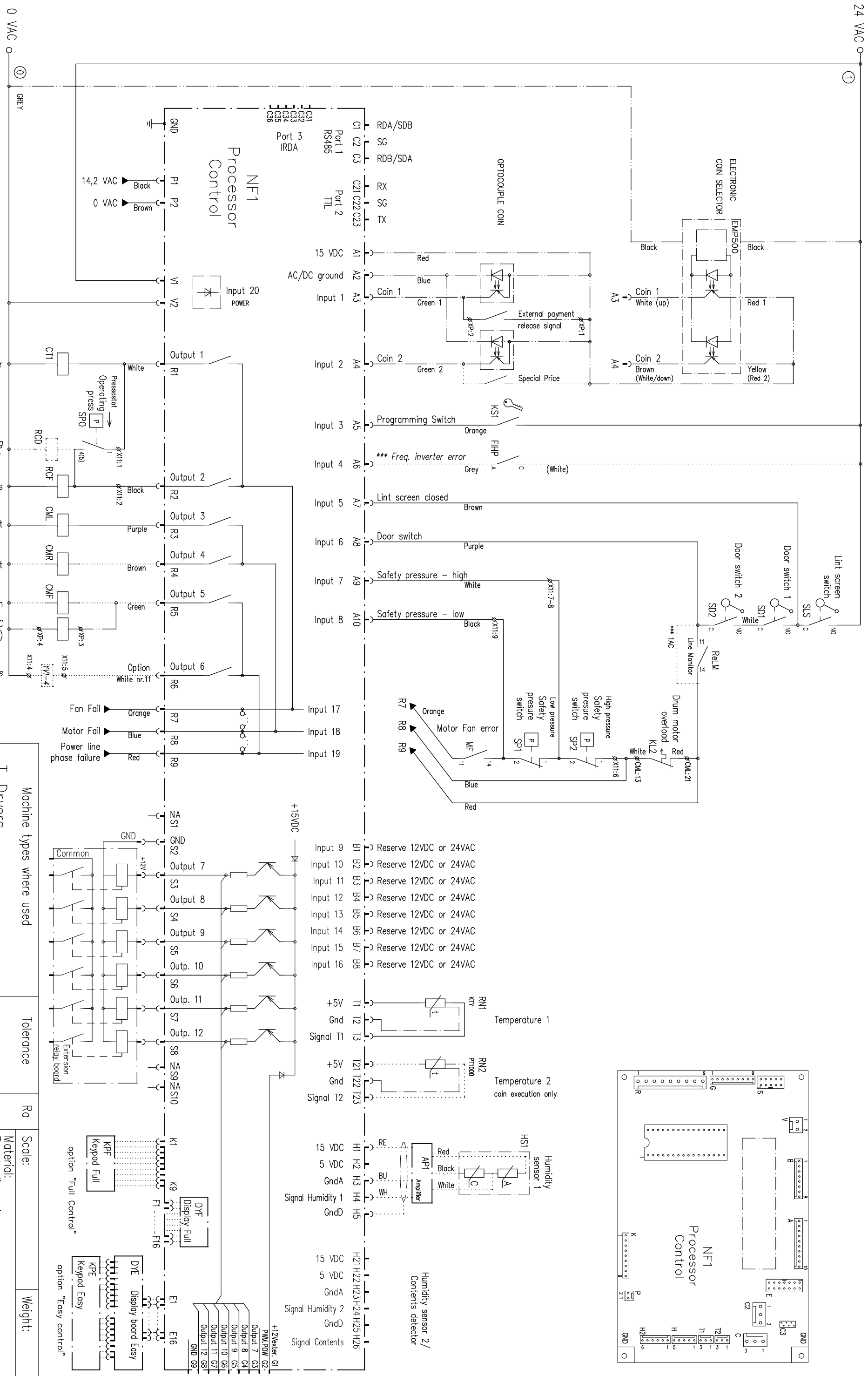
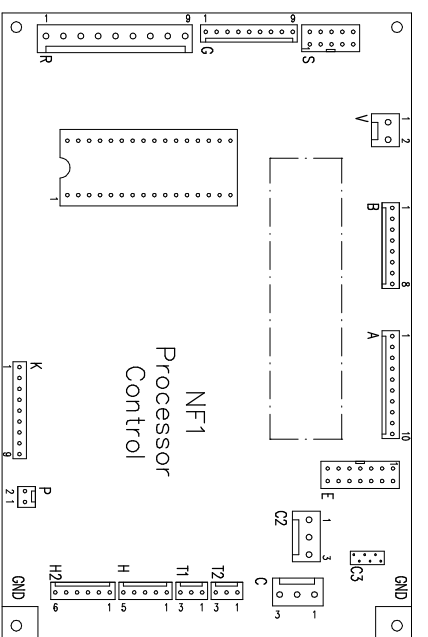
LEGEND:

- CT1X - Heating contactor
- KA1 - Relay - request for heat - gas heating
- KA1 - Option - Relay for cooling clock control - steam heating
- KA2 - Relay - reset gas ignition
- SV1 - steam valve
- (E) - electrical heating
- (G) - gas heating
- (S) - steam heating

Options:
 --- : options
 --- : Coin Machines
 --- : External Payment System

Machine types where used		Frequency inverter drive control		Tolerance		Ra		Scale:	
T-Dryers		Frequency inverter drive control						Material: Rough dimensions: Standard for rough material:	
				Date		Name		Weight:	
				27mar.15		Pst			
				Author		28Aug07		Pst	
				Approv.		Releas.			
				Inverter M200		27mar.15		Pst	
				D700 modify		28apr14		Pst	
				A Kl1 connection		26aug10		Pst	
				Date		Name/Proj			
				Replaces:					
				Replaced by:					
				960		528 030			
				Page: 1		Pages: 1			





Machine types where used		Tolerance	Ra
T-Dryers			
with Heat Pump			
Material:		Date	Name
Rough dimensions:		10dec12	Pst
Standard for rough material:			

Scale:	Weight:

Scale:	Weight:

Material:	Date	Name
Rough dimensions:	10dec12	Pst
Standard for rough material:		

Scale:	Weight:

Scale:	Weight:

LEGEND:
 : options
 : Coin Machines
 : External Payment System

Machine types where used	Tolerance	Ra
T-Dryers		
with Heat Pump		
Material:	Date	Name
Rough dimensions:	10dec12	Pst
Standard for rough material:		

Scale:	Weight:

Scale:	Weight:

Scale:	Weight:

Scale:	Weight:

Scale:	Weight:

Scale:	Weight:

Scale:	Weight:

Scale:	Weight:

Scale:	Weight:

Scale:	Weight:

Scale:	Weight:

Scale:	Weight:

Scale:	Weight:

Scale:	Weight:

Scale:	Weight:

Scale:	Weight:

Scale:	Weight:

Scale:	Weight:

Scale:	Weight:

Scale:	Weight:

Scale:	Weight:

Scale:	Weight:

Scale:	Weight:

Scale:	Weight:

Scale:	Weight:

Scale:	Weight:

Scale:	Weight:

Scale:	Weight:

Scale:	Weight:

Scale:	Weight:

Scale:	Weight:

Scale:	Weight:

Scale:	Weight:

Scale:	Weight:

Scale:	Weight:

Scale:	Weight:

Scale:	Weight:

Scale:	Weight:

Scale:	Weight:

Scale:	Weight:

Scale:	Weight:

Scale:	Weight:

Scale:	Weight:

Scale:	Weight:

Scale:	Weight:

Scale:	Weight:

Scale:	Weight:

Scale:	Weight:

Scale:	Weight:

Scale:	Weight:

Scale:	Weight:

Scale:	Weight:

Scale:	Weight:

Scale:	Weight:

Scale:	Weight:

Scale:	Weight:

Scale:	Weight:

Scale:	Weight:

Scale:	Weight:

Scale:	Weight:

Scale:	Weight:

Scale:	Weight:

Scale:	Weight:

Scale:	Weight:

Scale:	Weight:

Scale:	Weight:

Scale:	Weight:

Scale:	Weight:

Scale:	Weight:

Scale:	Weight:

Scale:	Weight:

Scale:	Weight:

Scale:	Weight:

Scale:	Weight:

Scale:	Weight:

Scale:	Weight:

Scale:	Weight:

Scale:	Weight:

Scale:	Weight:

Scale:	Weight:

Scale:	Weight:

Scale:	Weight:

Scale:	Weight:

Scale:	Weight:

Scale:	Weight:

Scale:	Weight:

Scale:	Weight:

Scale:	Weight:

Scale:	Weight:

Scale:	Weight:

Scale:	Weight:

Scale:	Weight:

Scale:	Weight:

Scale:	Weight:

Scale:	Weight:

Scale:	Weight:

Scale:	Weight:

Scale:	Weight:

Scale:	Weight:

Scale:	Weight:

Scale:	Weight:

Scale:	Weight:

Scale:	Weight:

Scale:	Weight:

Scale:	Weight:

Scale:	Weight:

Scale:	Weight:

Scale:	Weight:

Scale:	Weight:

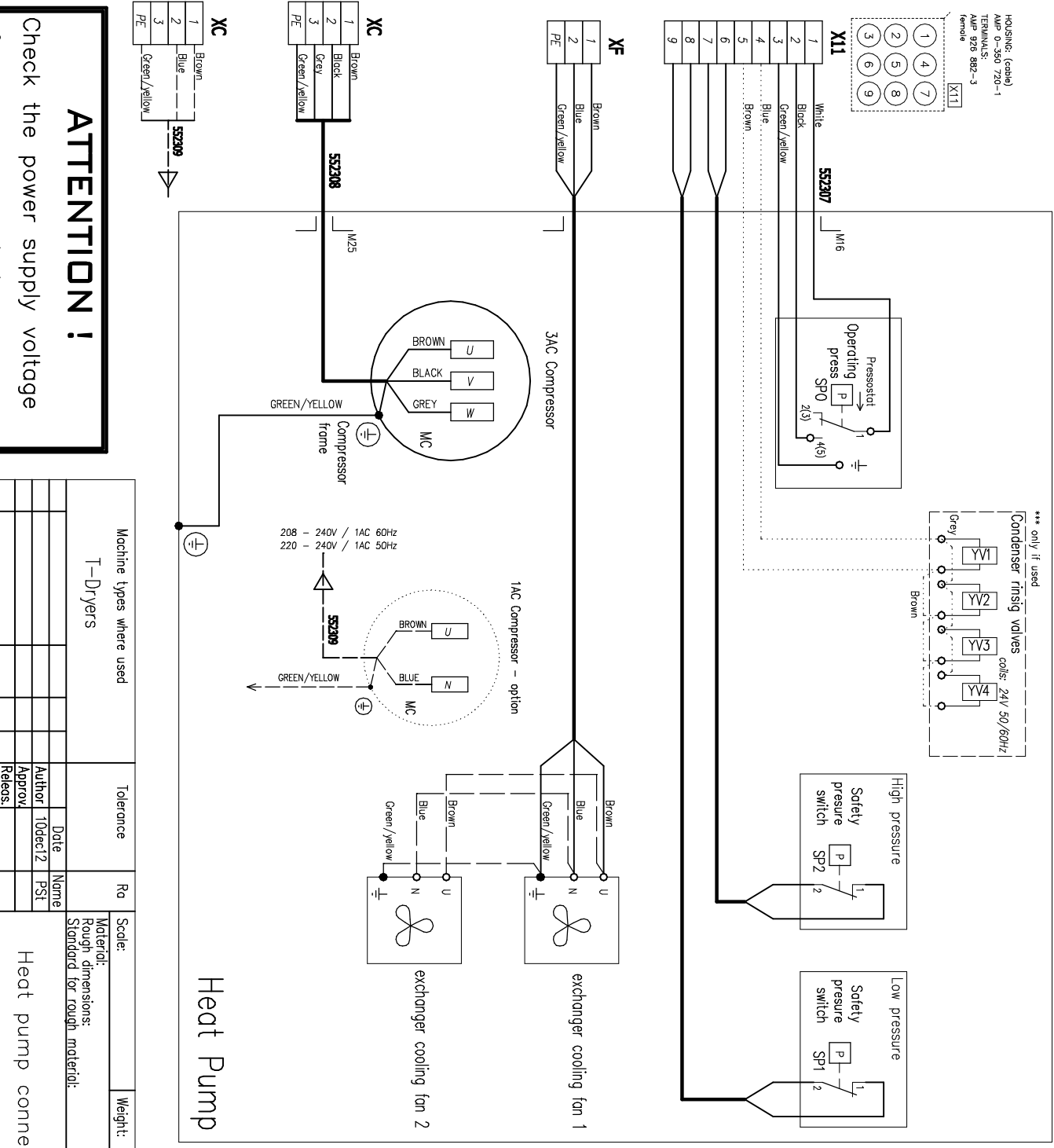
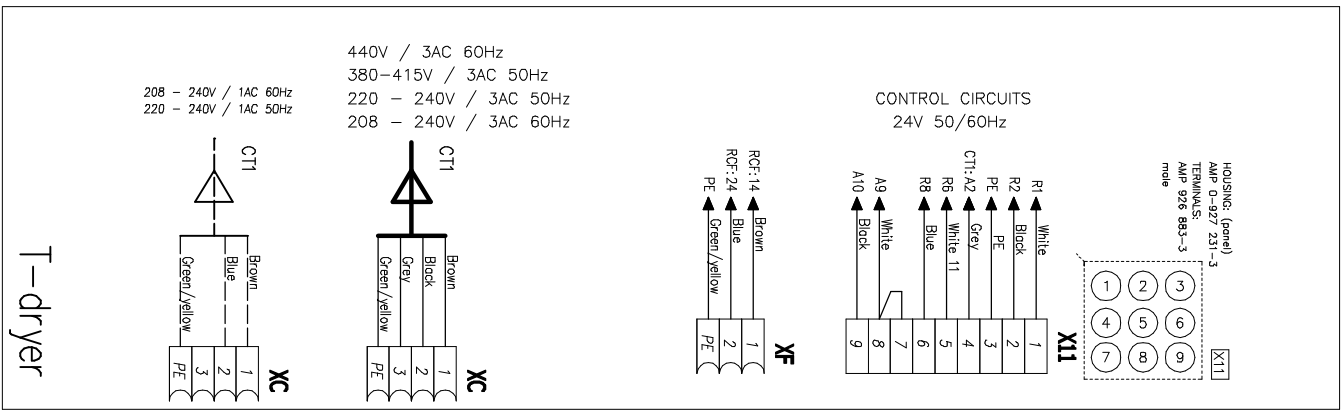
Scale:	Weight:

Scale:	Weight:

Scale:	Weight:

Scale:	Weight:

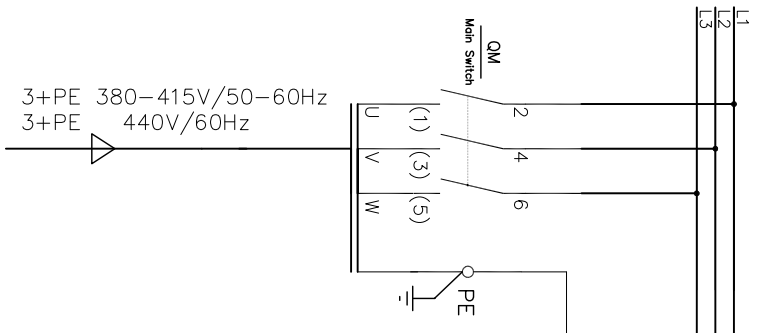
Scale:	
--------	--



ATTENTION !

Check the power supply voltage of compressor and dryer.
Danger of compressor destruction.

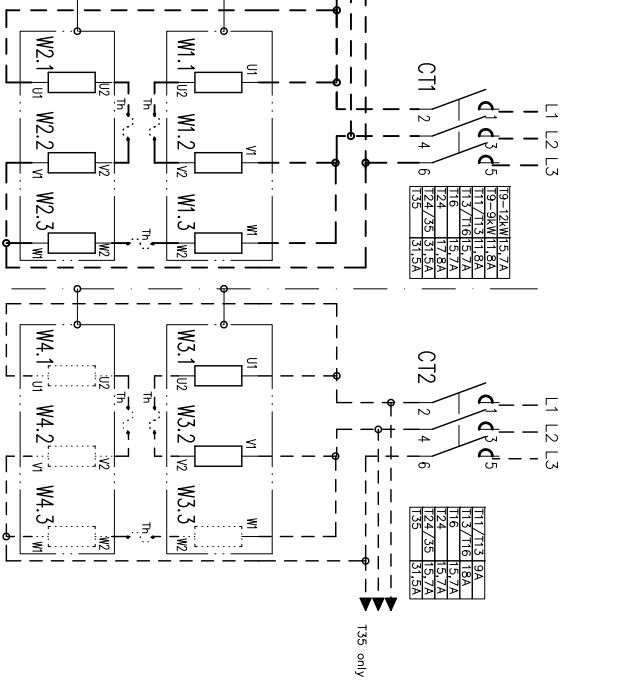
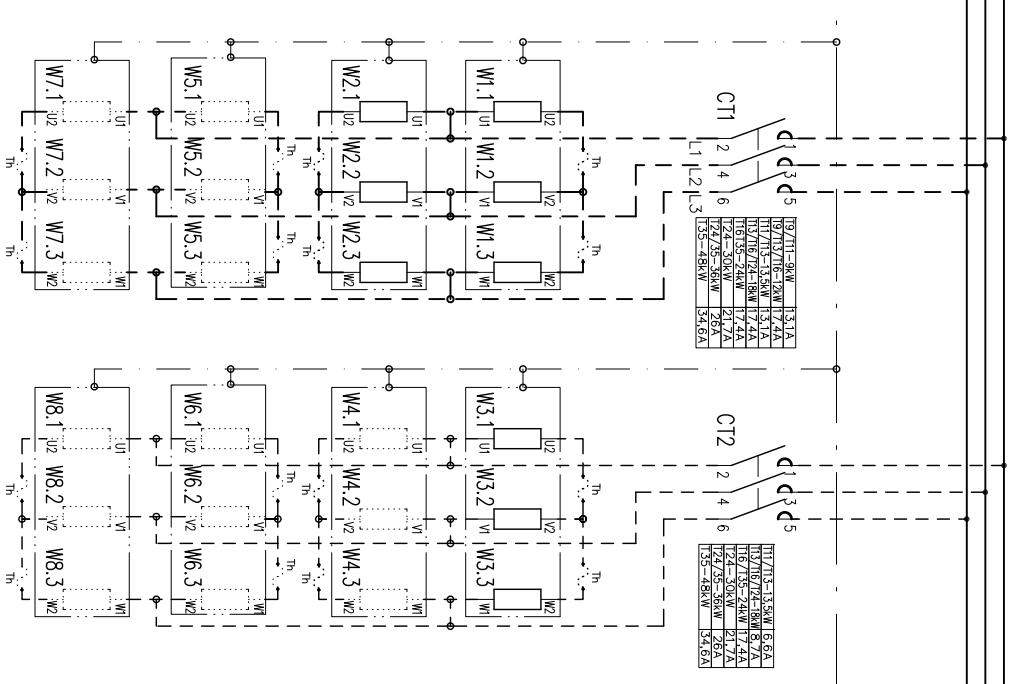
Machine types where used		Tolerance		Ra		Scale:	
T-Dryers						Material: Rough dimensions: Standard for rough material:	
		Date		Name		Weight:	
		Author		10dec12		Heat pump connection	
		Approv.					
		Releas.					
A		condenser rinse		21jan14		PSI 2956	
Modification		Date		Name		Replaces:	
						960	
						552 306	
						Replaced by:	
						Page: 1	
						Pages: 1	



HEATING ELEMENTS - 380-415V

Type	T9	19/111	19/113	19/115	19/117	19/119	19/121	19/123	124	124/135	135
kW/m ²	6	9	12	13,5	18	24	30	36	48		

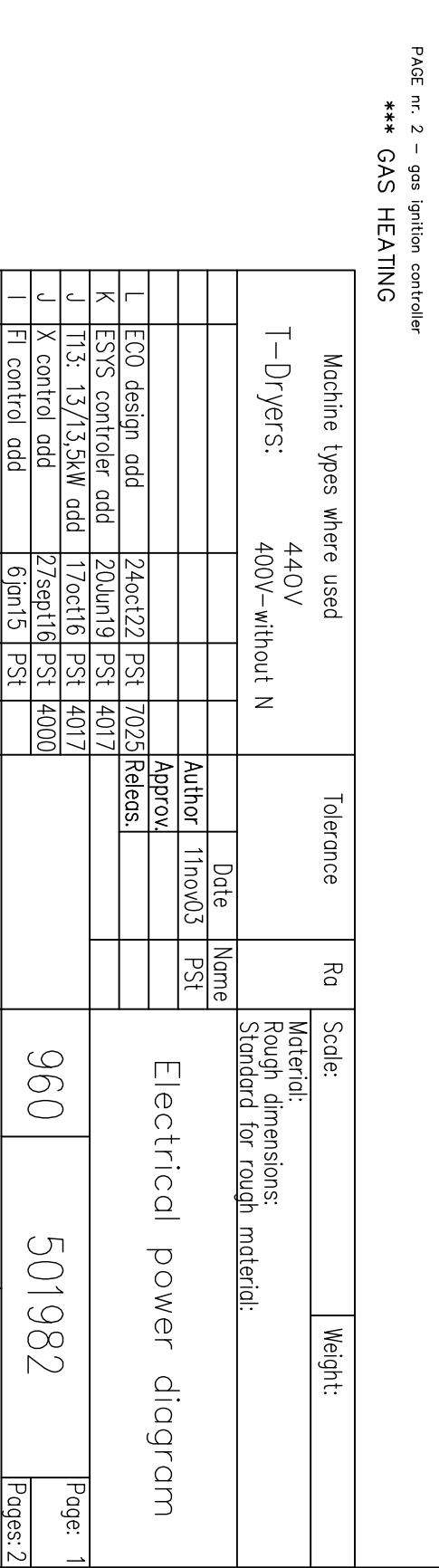
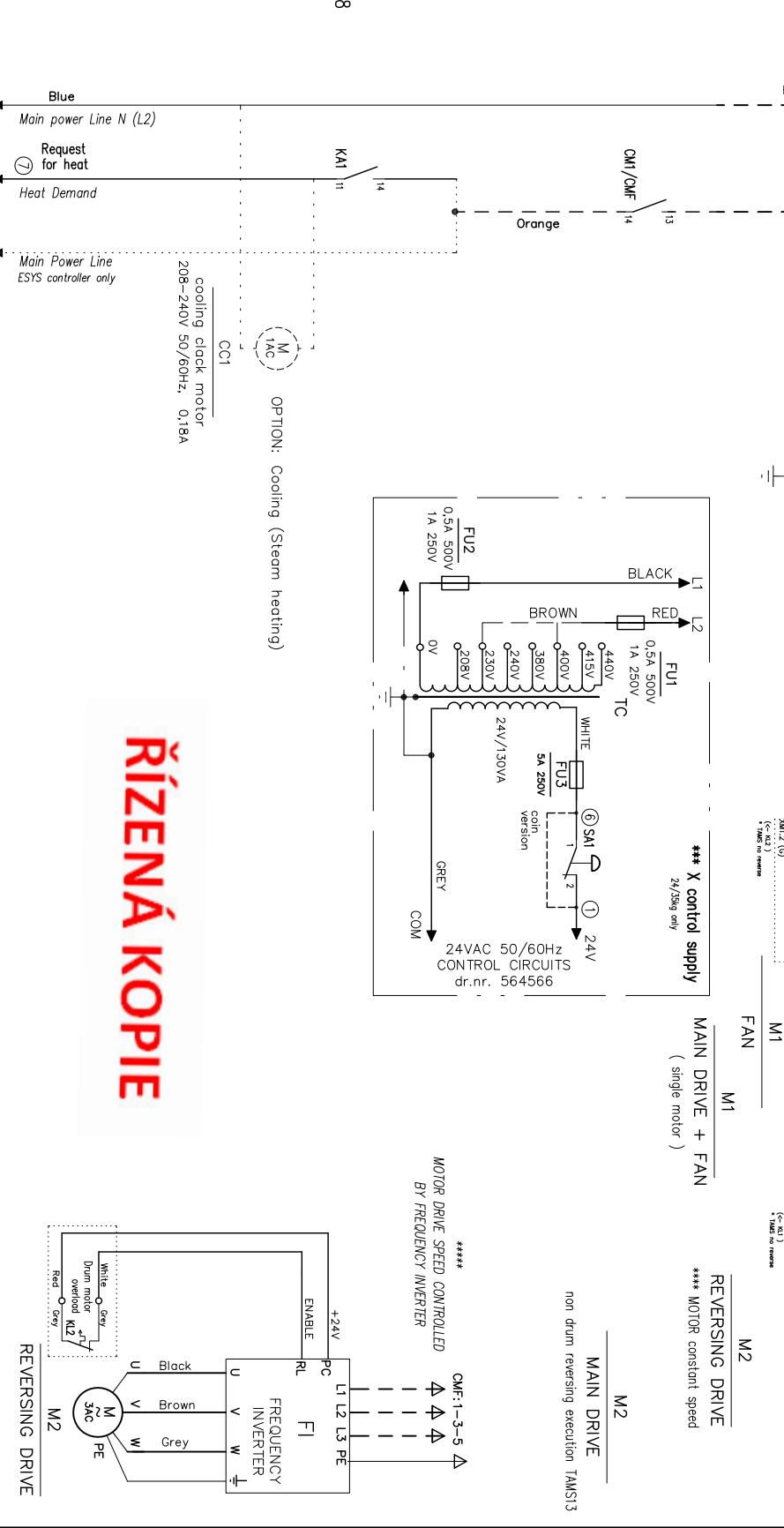
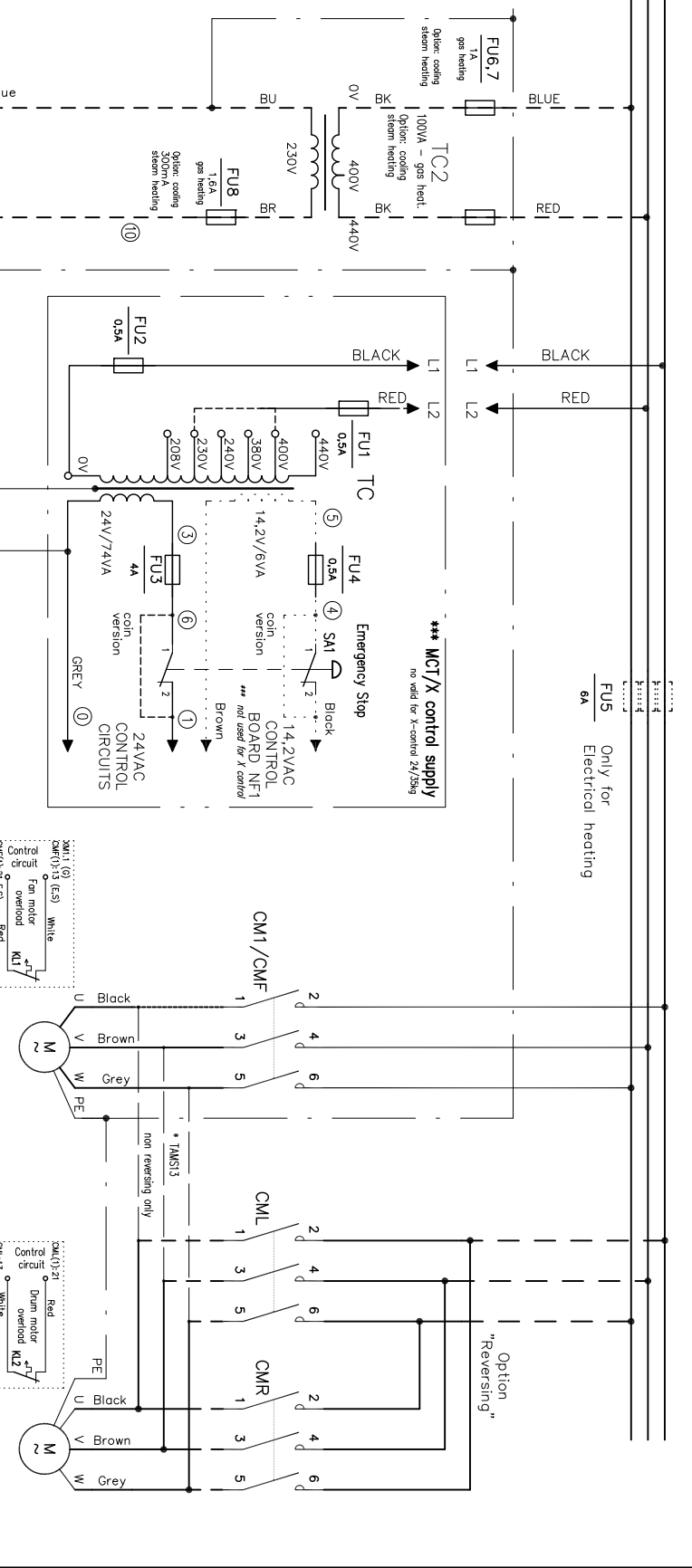
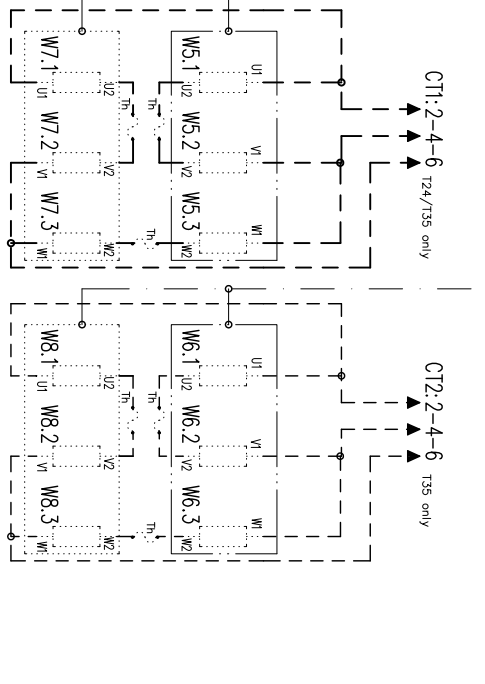
ECO design:
 T9 - 9kW
 T11 - 9kW
 T16 - 12kW
 T24 - 18kW
 T35 - 24kW



HEATING ELEMENTS - 440V

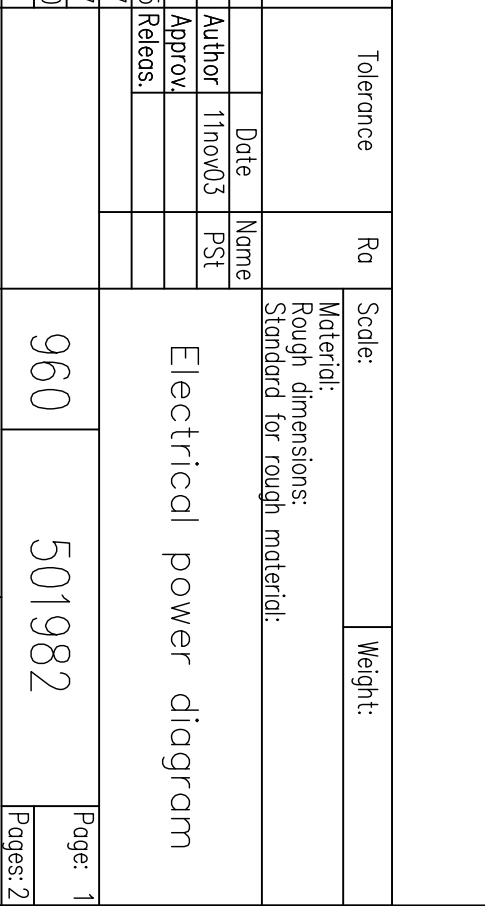
Type	19/111	19/113	19/115	19/117	19/119	19/121	19/123	124	124/135	135
kW/m ²	9	12	13,5	18	24	30	36	48		

ECO design:
 T9 - 9kW
 T11 - 9kW
 T16 - 12kW
 T24 - 18kW
 T35 - 24kW

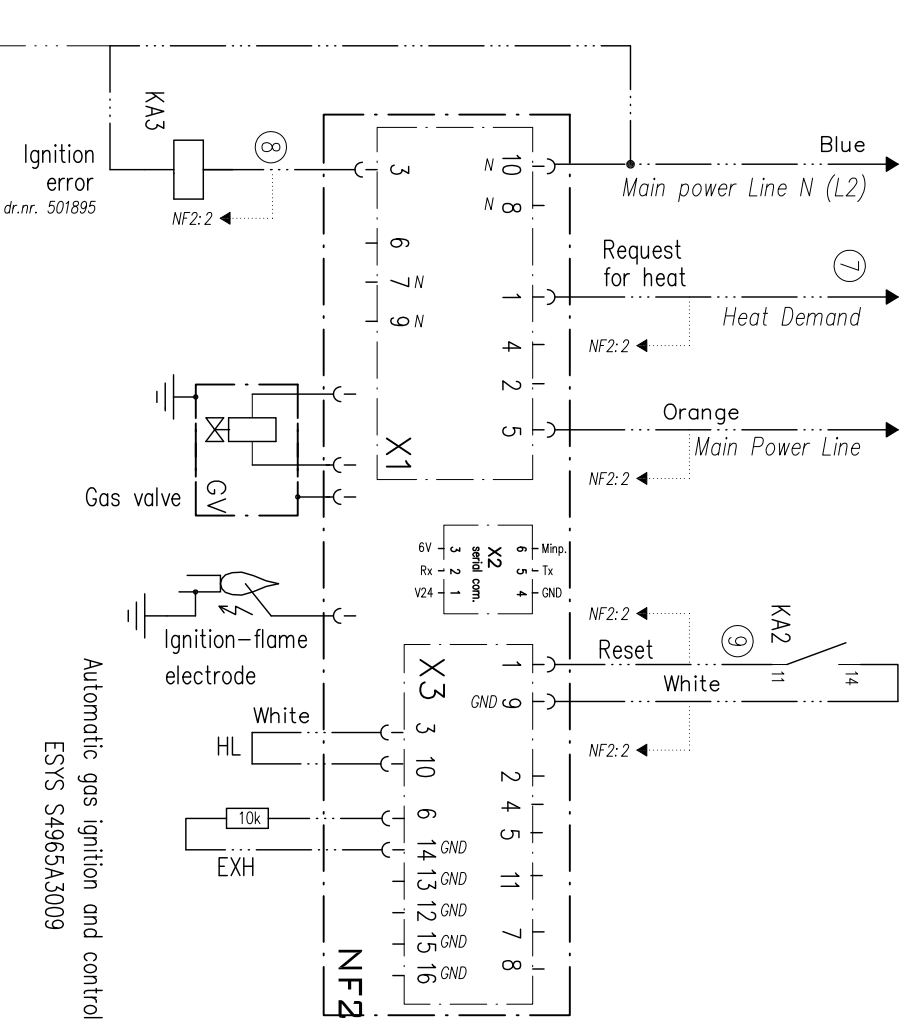


PAGE nr. 2 - gas Ignition controller
 *** GAS HEATING

Machine types where used	Tolerance	Ra	Scale:	Weight:
T-Dryers: 440V			Material: Rough dimensions: Standard for rough material:	
400V-without N			Electrical power diagram	
ECO design add	24oct22	Pst 7025	Releases.	
ESYS controller add	20Jun19	Pst 4017	Author 11nov03	Pst
T13: 13/13,5kW add	17oct16	Pst 4017		
X control add	27sept16	Pst 4000		
FI control add	6Jan15	Pst		
Stat Modification	Date	Name	Proj.	
			Replaces:	960
			Replaced by:	501982
			Pages:	1
			Pages:	2

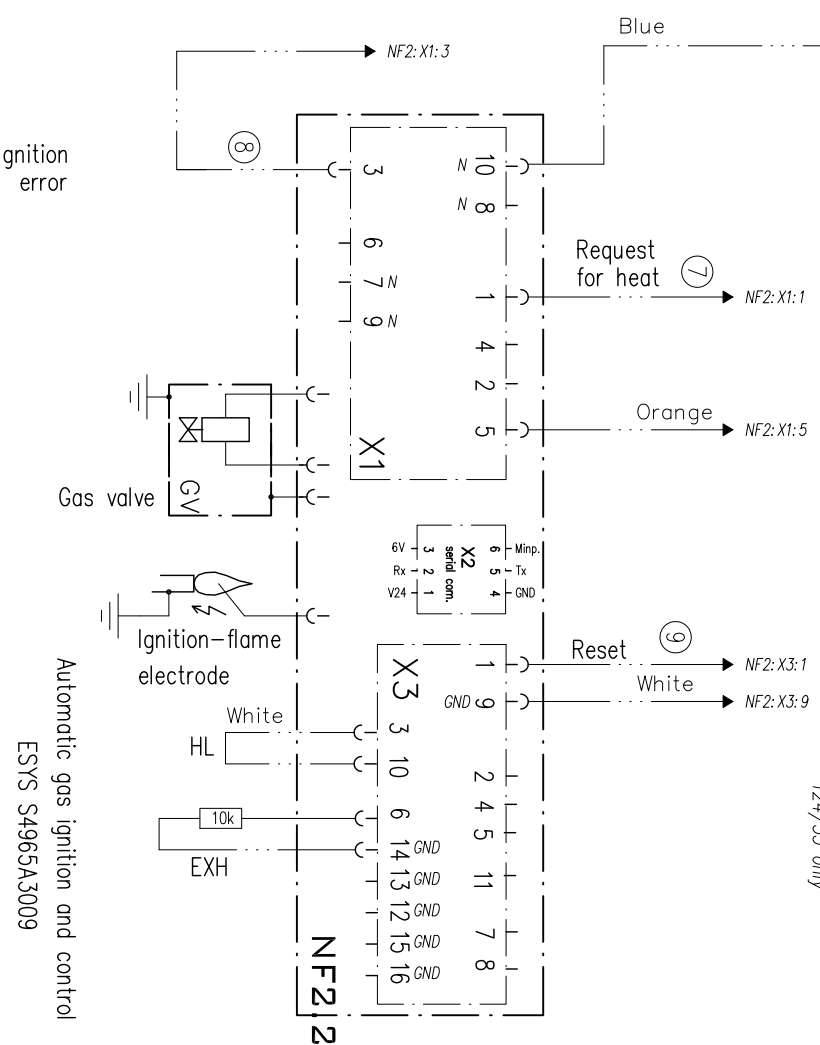


ŘÍZENÁ KOPIE



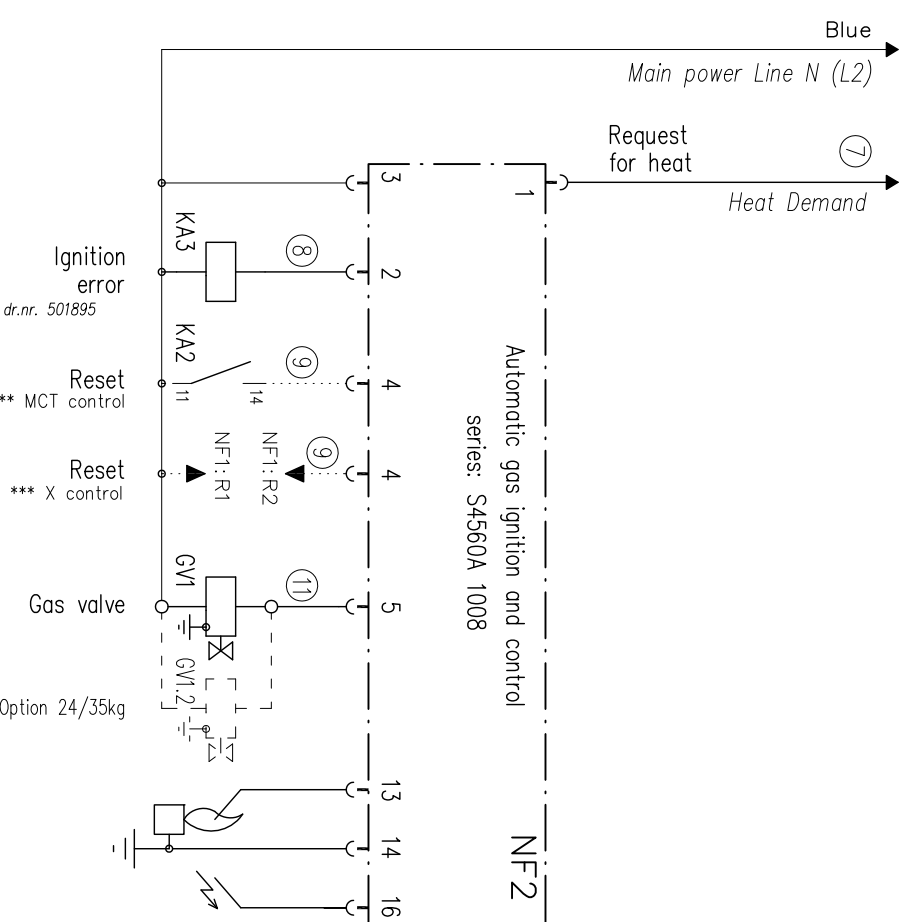
GAS HEATING – option 2

.....► NF2.2
 T24/35 only



Automatic gas ignition and control
 ESYS S4965A3009

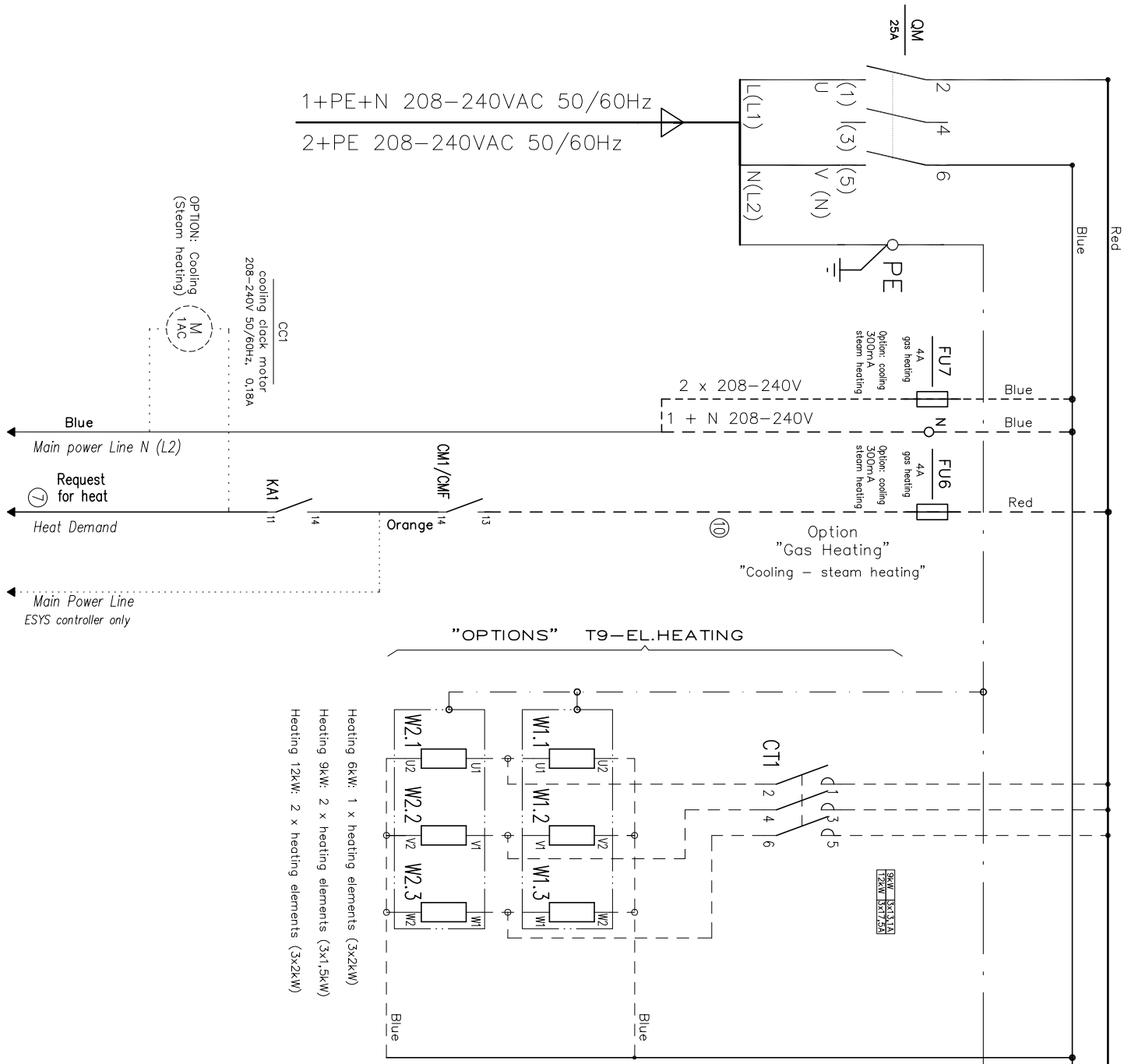
NF2.2: T24/35 only



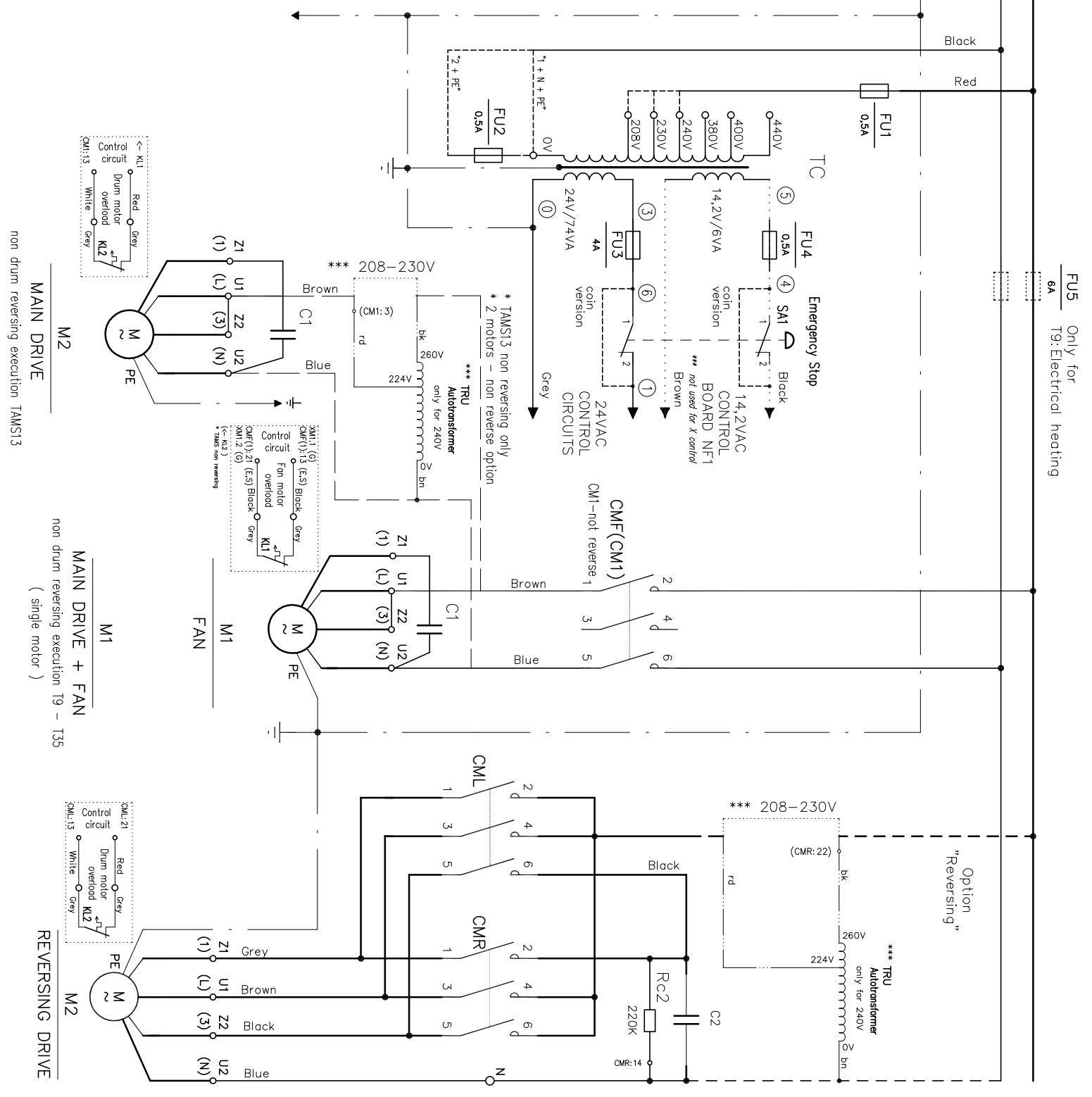
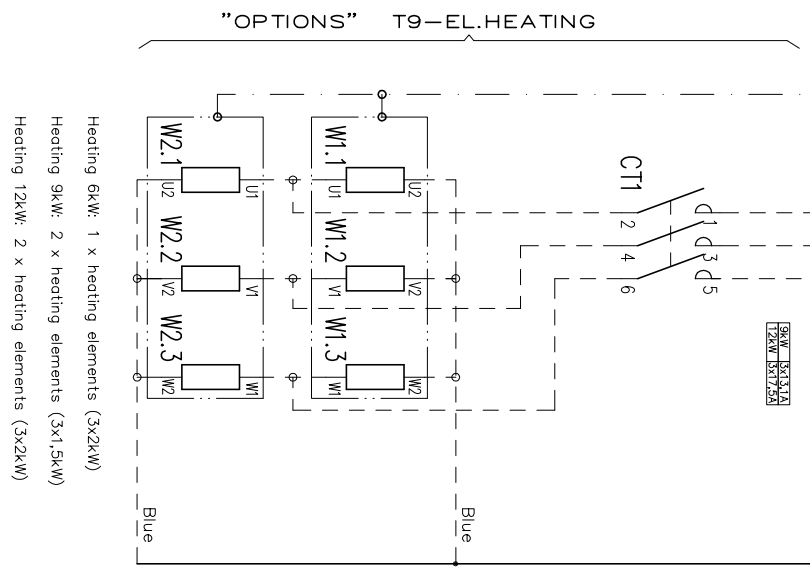
GAS HEATING – option 1

ŘÍZENÁ KOPIE

Machine types where used		Tolerance		Ra		Scale:	
T-Dryers:						Material: Rough dimensions: Standard for rough material:	
440V						Electrical power diagram	
400V–without N		Date		Name		Weight:	
		Author		PSt			
		Date		11nov03			
		Approv.		Relays.			
L	ECO design add	24oct22	PSt	7025			
K	ESYS controller add	20jun19	PSt	4017			
J	T13: 13/13,5kW add	17oct16	PSt	4017			
J	X control add	27sept16	PSt	4000		960	501982
I	FI control add	6jan15	PSt				
Stat	Modification	Date	Name	Proj.		Replaces:	Replaced by:
						Page: 2	Pages: 2



PAGE nr. 2 - gas ignition controller
*** GAS HEATING

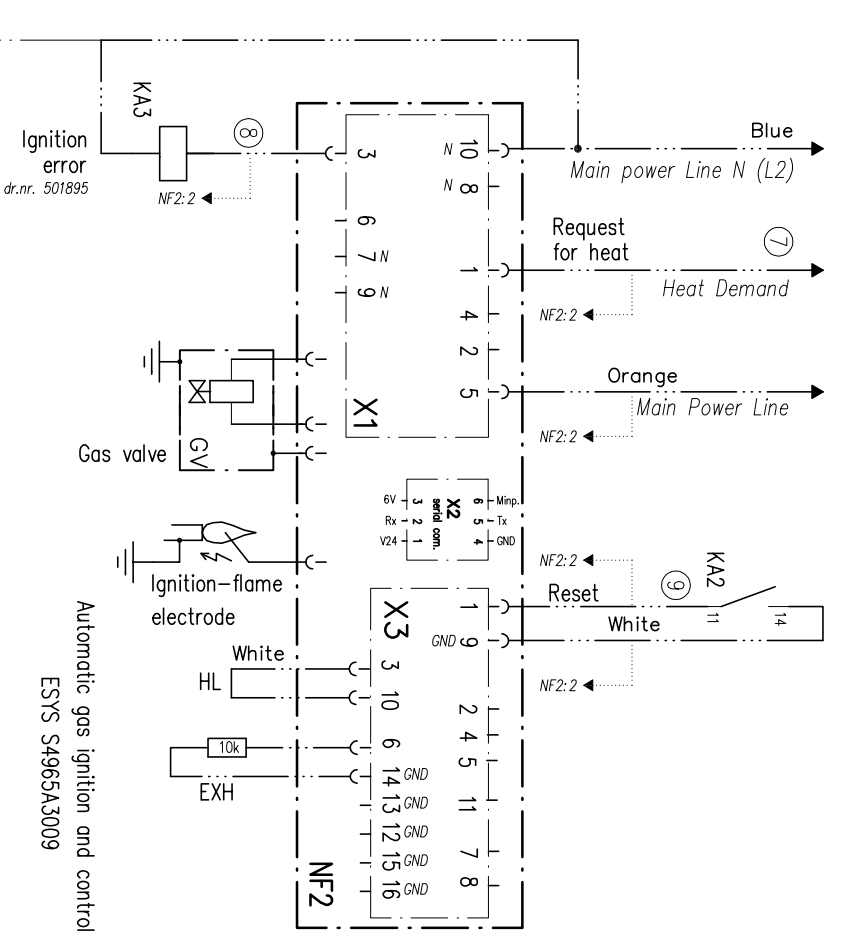


Machine types where used		Tolerance	Ra	Scale:	Weight:
Dryers - 1 phase 208-240V				Rough dimensions: Standard for rough material:	
P	ESYS controler add	20Jun19	PSt	Author	28Aug02
O	odd X control	27sept16	PSt	Approv.	
N	TRU option	18may11	PSt	Releas.	
M	TD canceled	5apr11	PSt		
L	no reverse 2 motor	11jan11	PSt		
K	TAMS13 2poles	11nov10	PSt		
J	NF2 control	17dec07	PSt	0010	
Stat	Modification	Date	Name/Proj.	Replaces:	
				960	501978
				Replaced by:	

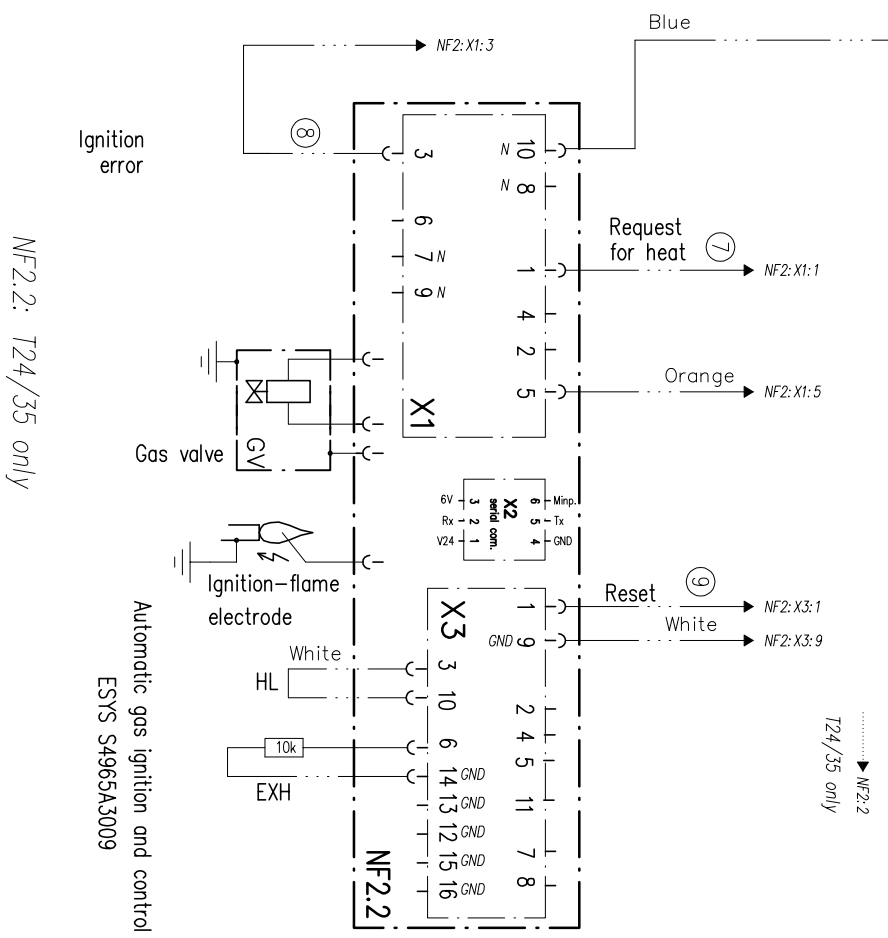
Material:
Standard for rough material:

Electrical power diagram

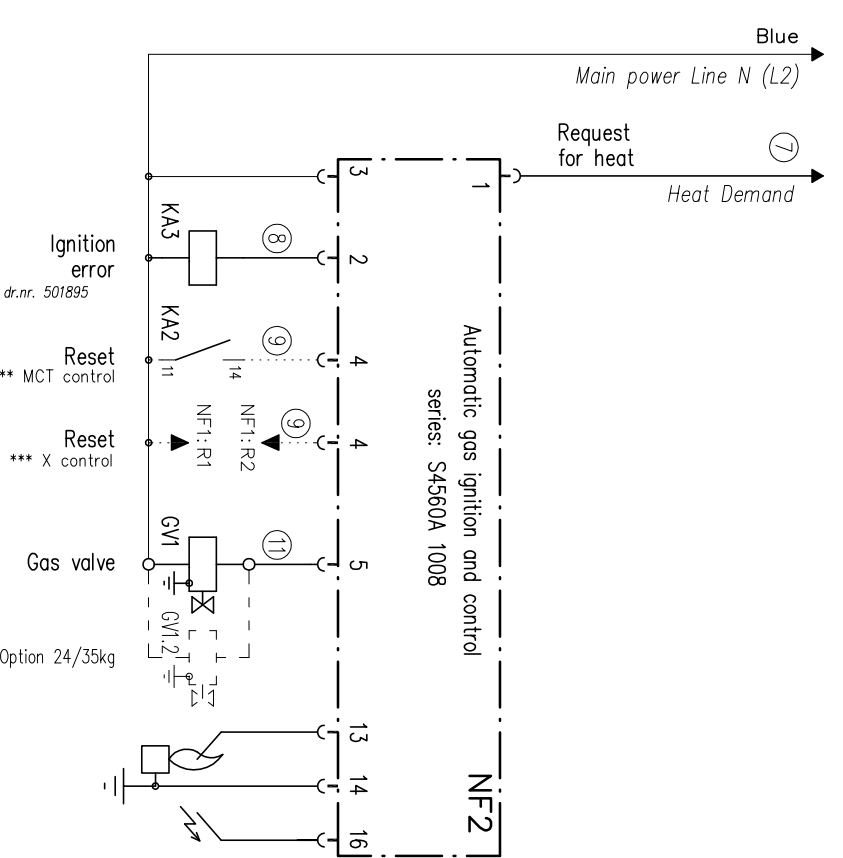
Page: 1
Pages: 2



GAS HEATING – option 2



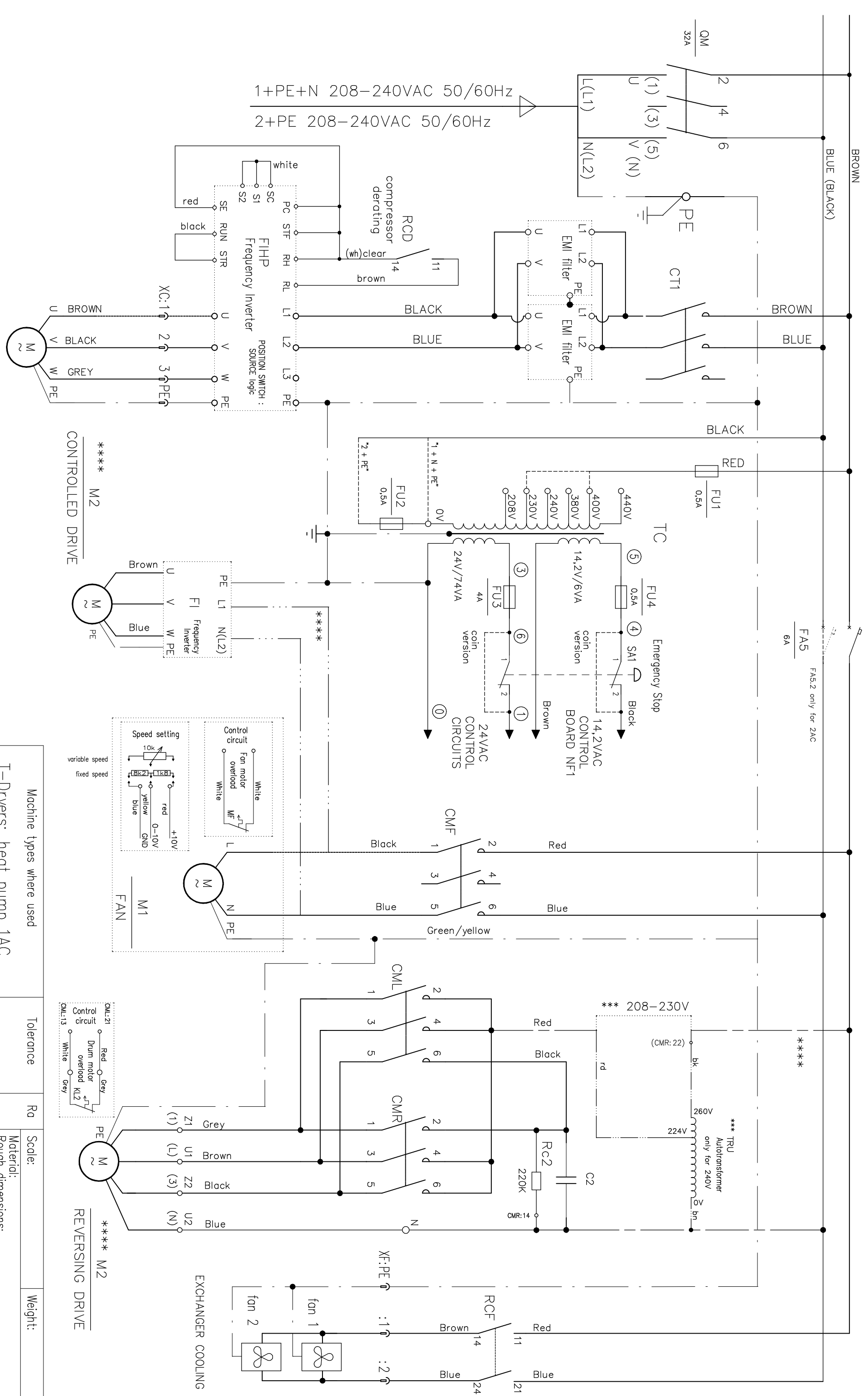
NF2.2: T24/35 only



GAS HEATING – option 1

Machine types where used				Tolerance	Ra	Scale:	Weight:
Dryers – 1 phase 208–240V						Rough dimensions: Standard for rough material:	
P	ESYS controller add	20Jun19	PSt		Date	Name	
0	add X control	27sept16	PSt		28Aug02	PKk	
N	TRU option	18may11	PSt				
M	TD canceled	5apr11	PSt				
L	no reverse 2 motor	11jan11	PSt				
K	TAMS13 2poles	11nov10	PSt				
J	NF2 control	17dec07	PSt				
Stat	Modification	Date	Name/Proj.				
						Replaces:	960
						Replaced by:	501978
						Page: 2	Pages: 2

Electrical power diagram



***** OPTION

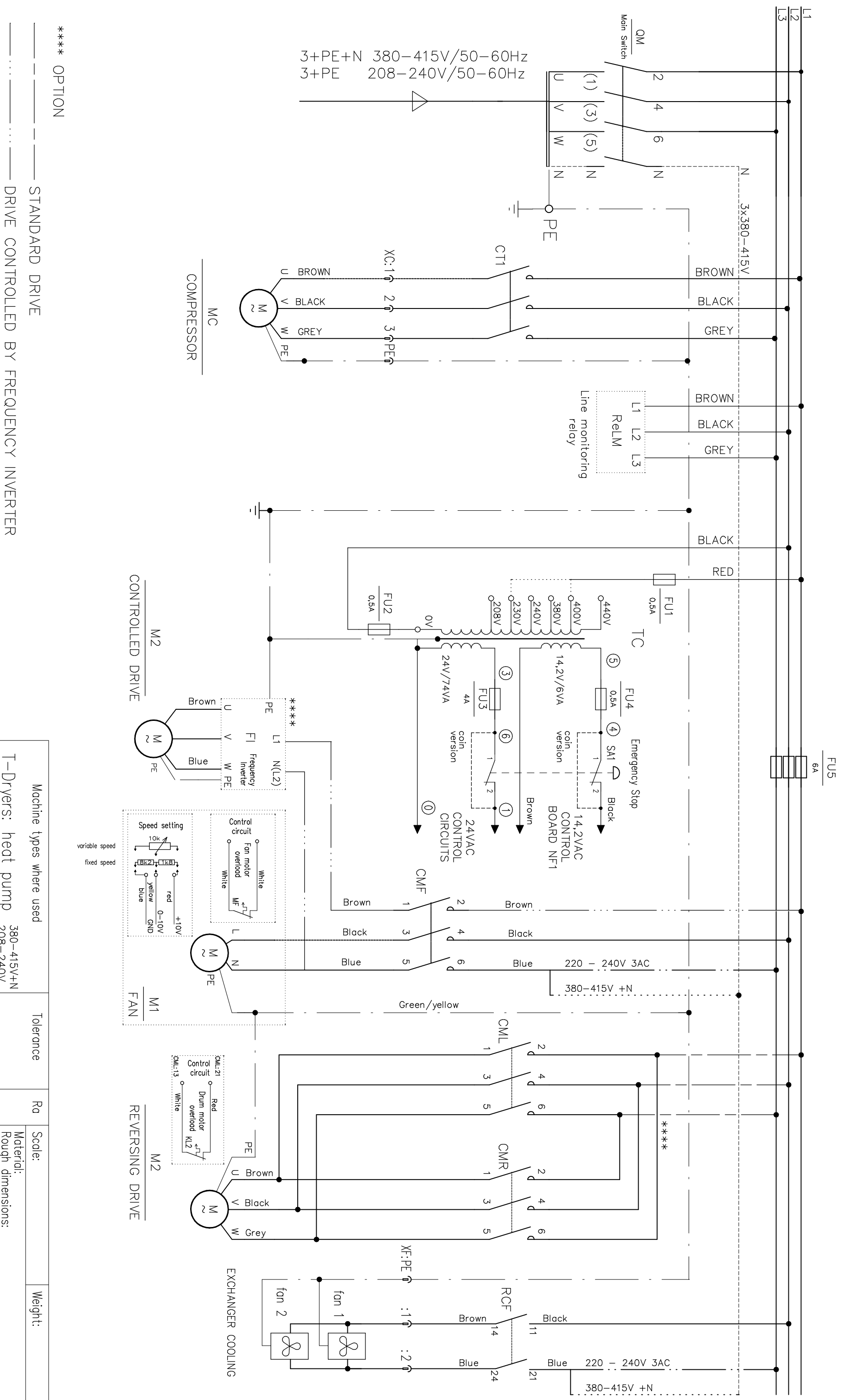
STANDARD DRIVE

DRIVE CONTROLLED BY FREQUENCY INVERTER

Machine types where used		Tolerance	Ra	Scale:	Weight:
T-Dryers: heat pump 1AC				Material: Rough dimensions: Standard for rough material:	
Author	Date	Name			
17dec12		PSt			
Approv.					
Releas.					
Electrical power diagram					
960	552340				
Page: 1	Pages: 1				

Replaces:

Replaced by:



**** OPTION

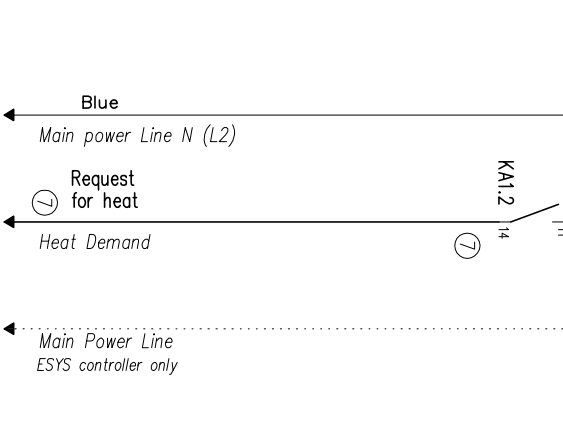
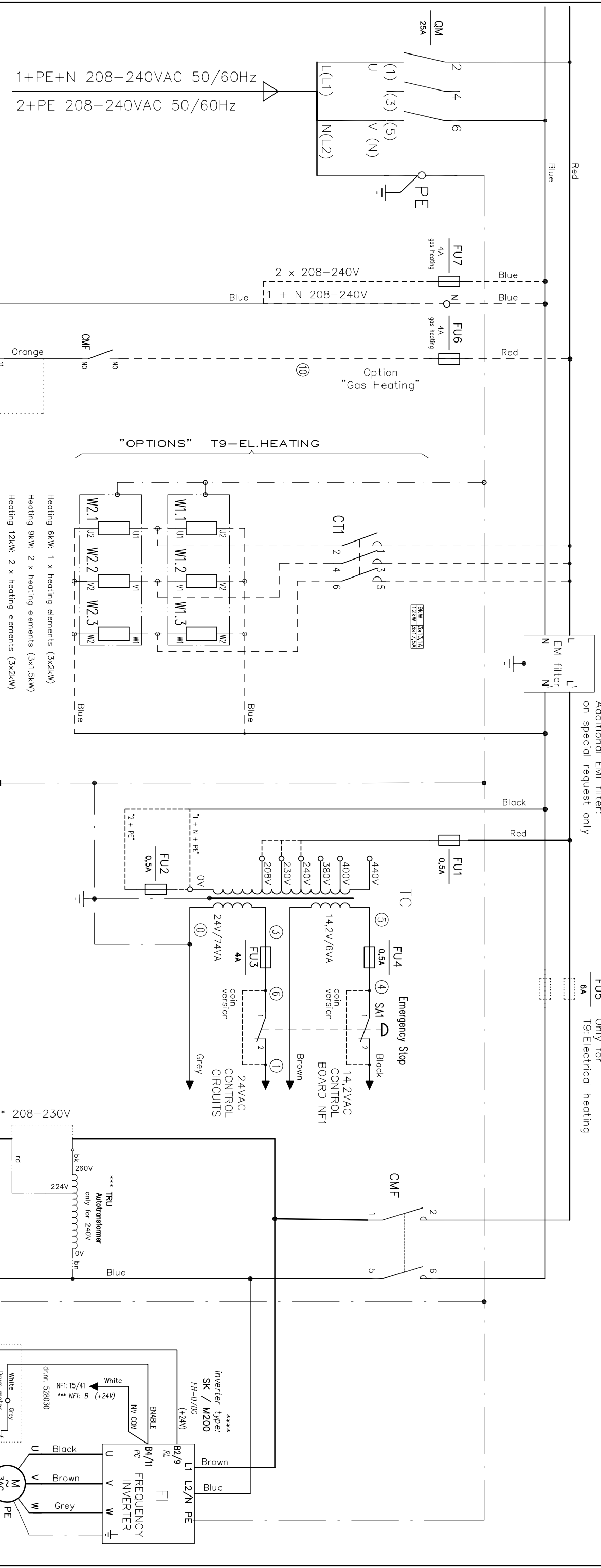
----- STANDARD DRIVE

----- DRIVE CONTROLLED BY FREQUENCY INVERTER

Machine types where used		Tolerance		Ra		Scale:	
T-Dryers: heat pump		380-415V+N 208-240V				Material: Rough dimensions: Standard for rough material:	
Date	Name	Date	Name	Date	Name	Weight:	
10dec12	PSt						
Author	Releas.	Author	Releas.	Author	Releas.		

Electrical power diagram

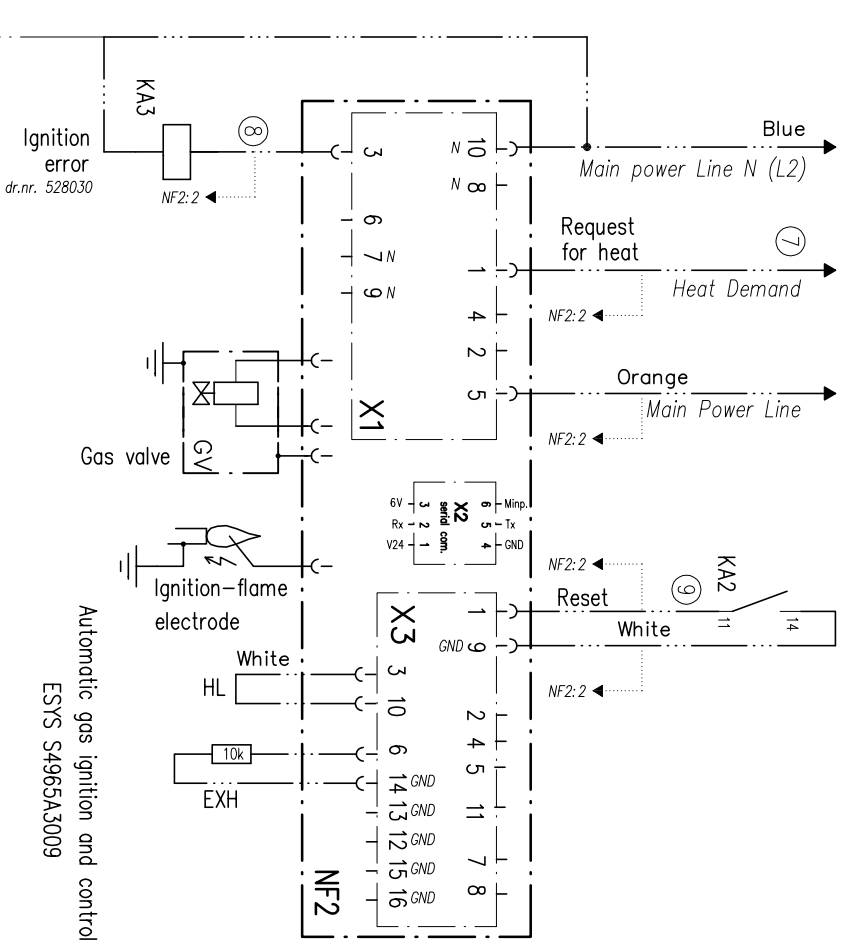
Stat	Modification	Date	Name	Proj	Replaces:	Page: 1
X					960	552305
						Pages: 1



PAGE nr. 2 – gas ignition controller
***** GAS HEATING**

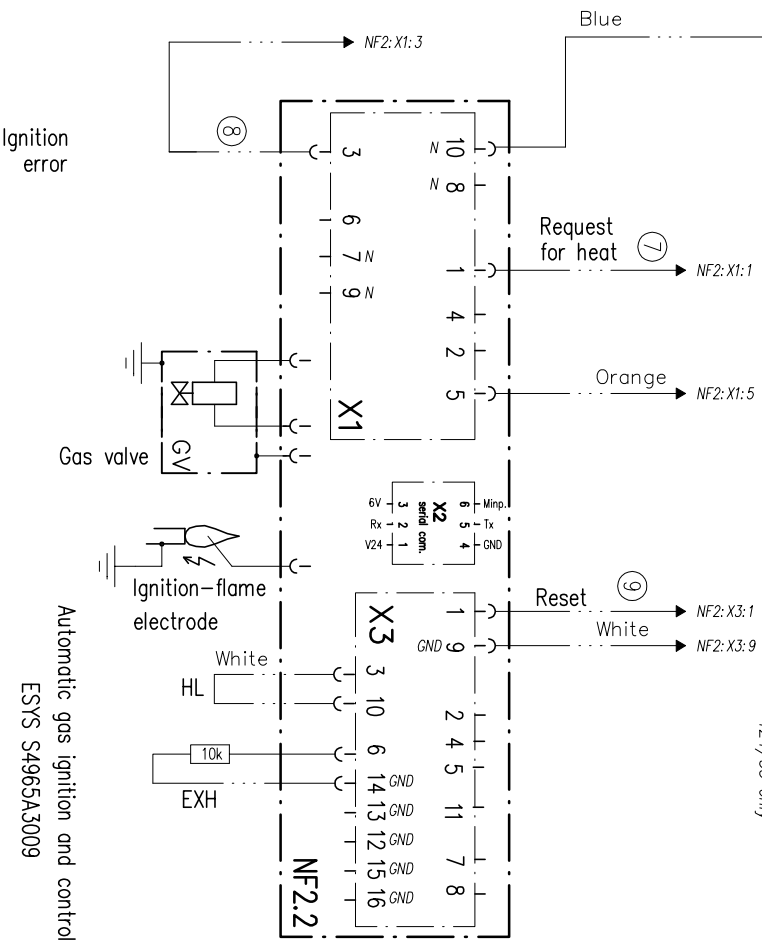
Machine types where used		Tolerance	Ra	Scale:	Weight:
Dryers – 1 phase		Frequency Inverter Drive control		Rough dimensions: Standard for rough material:	
A	NF2 control, EMI filter	26aug10	PS1		
B	TD canceled	5apr11	PS1		
C	inverter M200	27mar15	PS1		
D	TRU for high volt.	15dec16	PS1		
E	ESYS controler add	21jun19	PS1		
Author		Date	Name	Material:	
Approv.		27Aug07	PS1	Standard for rough material:	
Releas.				Electrical power diagram	
Replaces:				960	528 031
Replaced by:					
Stat	Modification	Date	Name/Proj.	Page: 1	Pages: 1

*** GAS HEATING



GAS HEATING – option 2

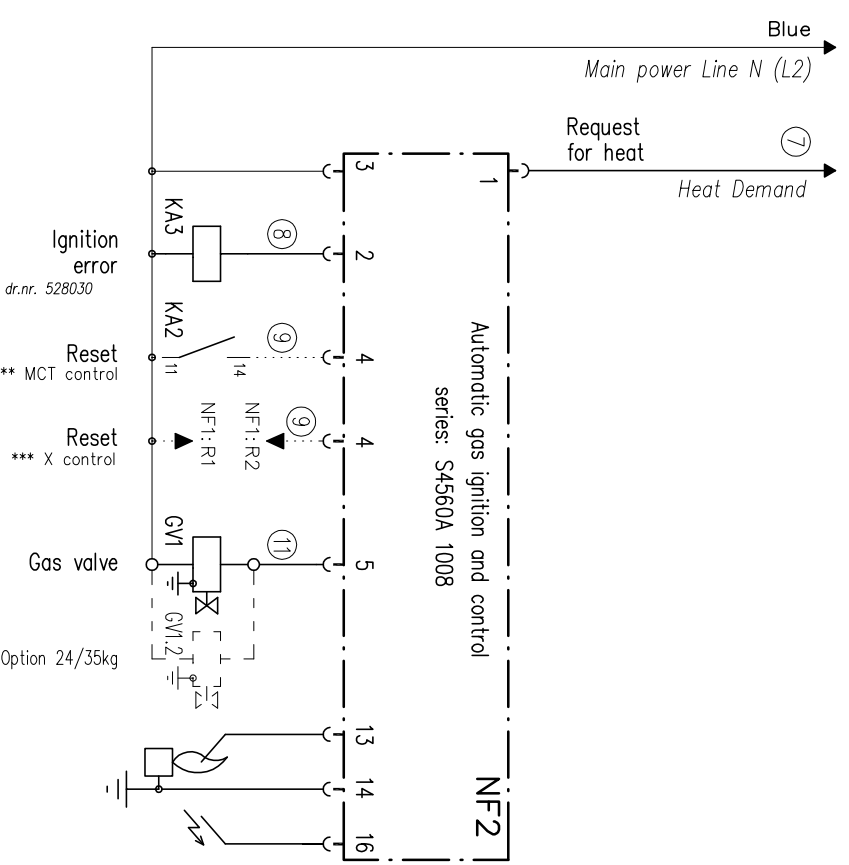
..... NF2:2
T24/35 only



NF2.2: T24/35 only

Automatic gas ignition and control
ESYS S4965A3009

*** GAS HEATING



GAS HEATING – option 1

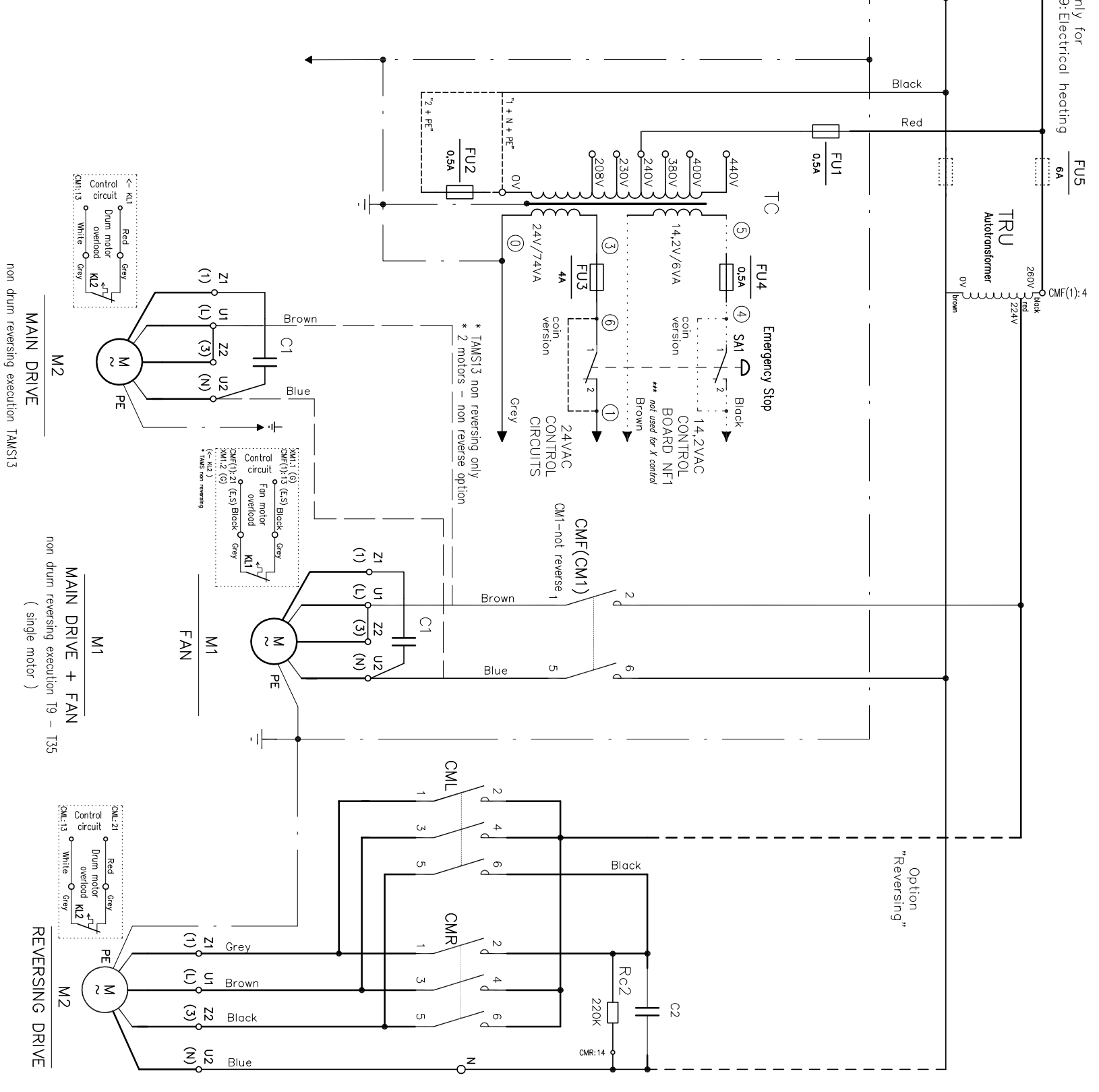
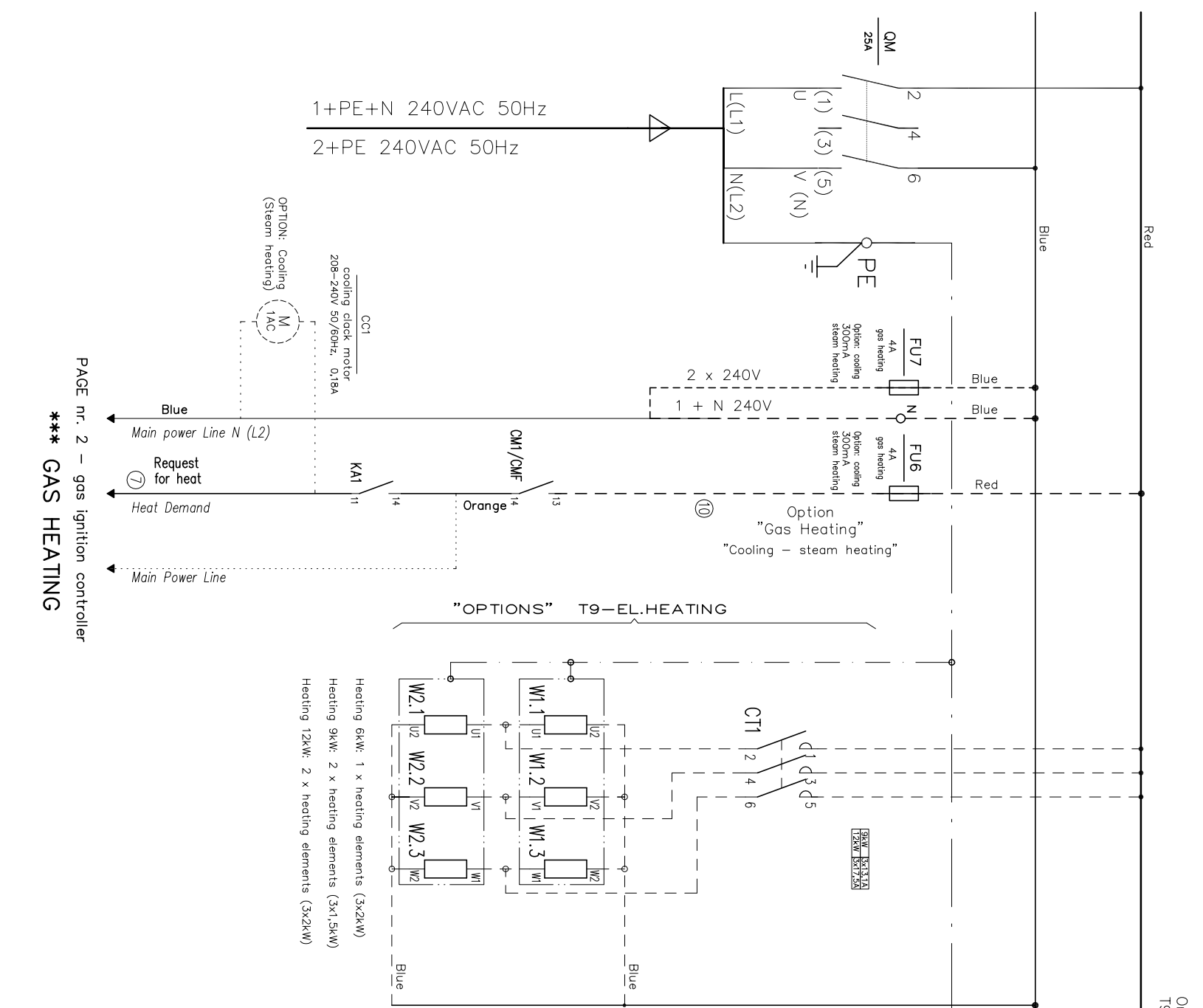
Machine types where used	Tolerance	Ra	Scale:	Weight:
Dryers – 1 phase	Frequency Inverter Drive control	Date 27Aug07	Material: Rough dimensions: Standard for rough material:	

Machine types where used	Tolerance	Ra	Scale:	Weight:
	Author 27Aug07	Name PSt	Material: Rough dimensions: Standard for rough material:	

Electrical power diagram

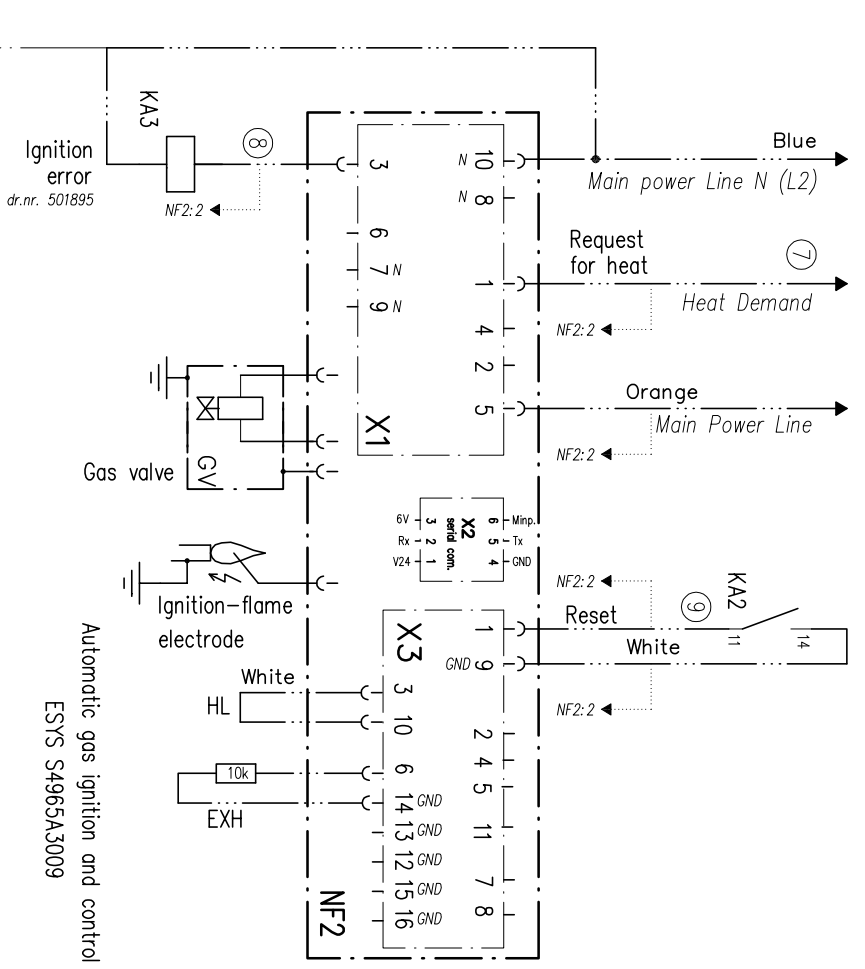
Machine types where used	Tolerance	Ra	Scale:	Weight:
E ESYS controller add	21jun19	PSt	Material: Rough dimensions: Standard for rough material:	
D TRU for high volt.	15dec16	PSt	Material: Rough dimensions: Standard for rough material:	
C inverter M200	27mar15	PSt	Material: Rough dimensions: Standard for rough material:	
B TD canceled	5apr11	PSt	Material: Rough dimensions: Standard for rough material:	
A NF2 control, EMI filter	26aug10	PSt	Material: Rough dimensions: Standard for rough material:	
Stat Modification	Date	Name/Proj.	Replaces:	Replaced by:

960 528 031



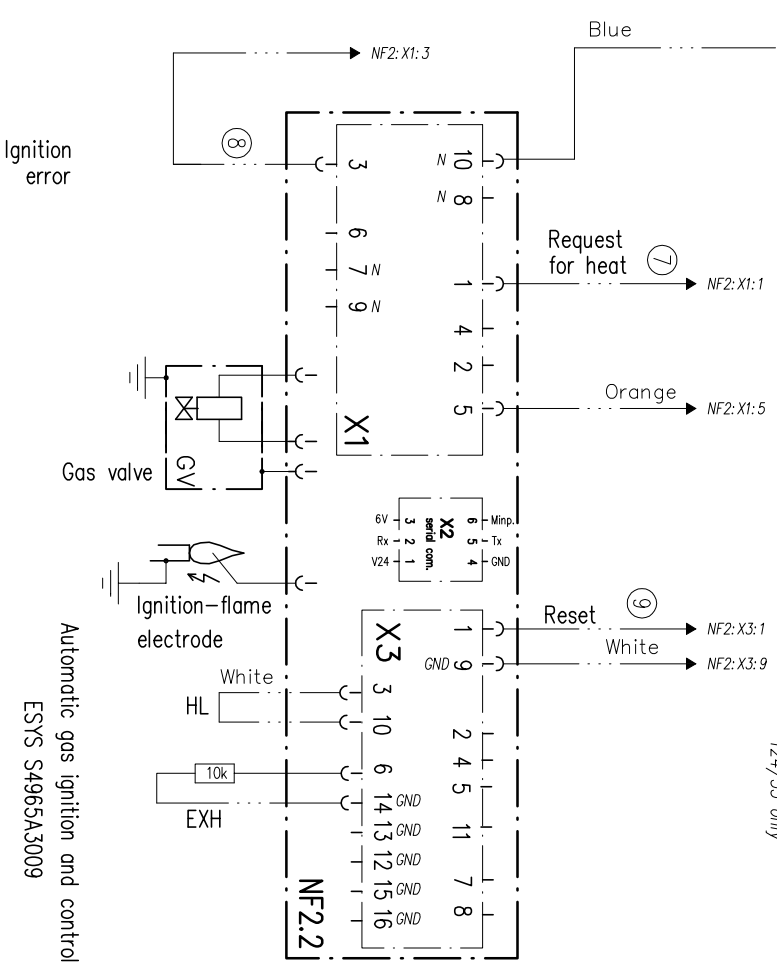
PAGE nr. 2 - gas ignition controller
*** GAS HEATING

Machine types where used		Tolerance		Ra		Scale:		Weight:	
Dryers - 1 phase HV 225 - 264V / 50Hz						Material: Rough dimensions: Standard for rough material:			
Date		Name		Date		Name		Material:	
Author 1dec2011		PSt		Author 1dec2011		PSt		Rough dimensions: Standard for rough material:	
Approv.				Approv.				Electrical power diagram	
Releas.				Releas.					
B ESYS controller add		20.6.19		PSt		960		528 447	
A X control add		4.10.16		PSt 4000		Replaces:		Replaced by:	
Stat Modification		Date		Name/Proj.		Page: 1		Pages: 2	

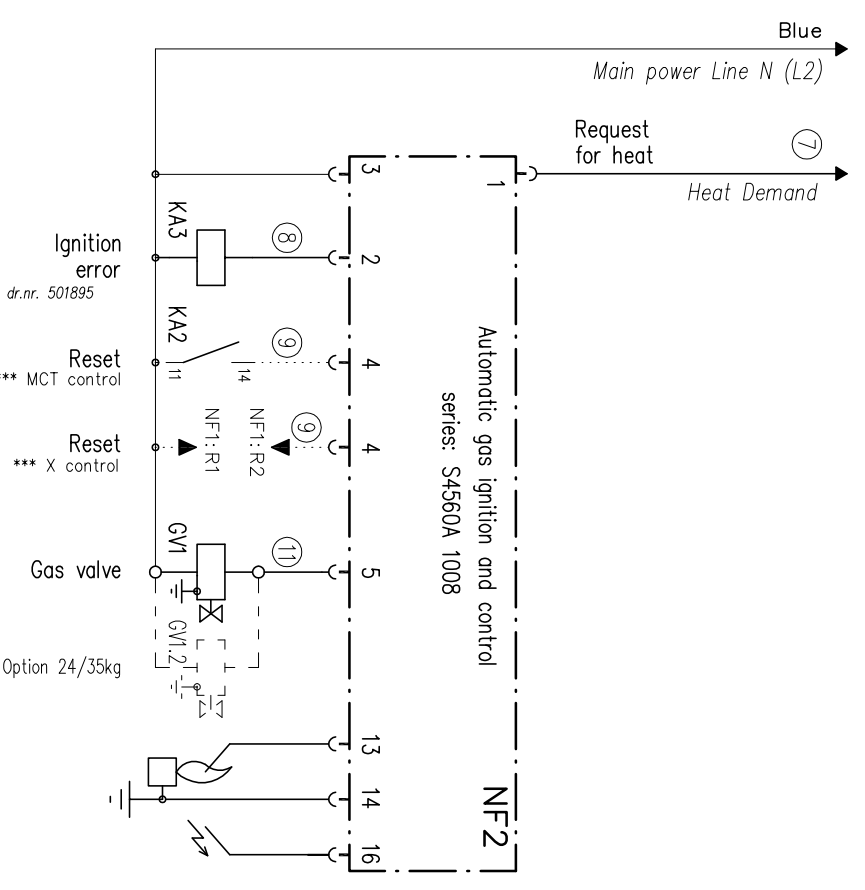


GAS HEATING – option 2

.....NF2.2
 T24/35 only



NF2.2: T24/35 only



GAS HEATING – option 1

Machine types where used		Tolerance	Ra	Scale:	Weight:
Dryers – 1 phase HV 225 – 264V / 50Hz				Rough dimensions: Standard for rough material:	
B	ESYS controller add	20.6.19	PSt	960	528 447
A	X control add	4.10.16	PSt 4000		
Stat	Modification	Date	Name/Proj.		
Date		1dec2011	PSt	Electrical power diagram	
Author					
Approv.					
Releas.				Page: 2	
				Pages: 2	
				Replaces:	
				Replaced by:	

Machine types where used		Tolerance	Ra	Scale:	Weight:
Dryers – 1 phase HV 225 – 264V / 50Hz				Rough dimensions: Standard for rough material:	
B	ESYS controller add	20.6.19	PSt	960	528 447
A	X control add	4.10.16	PSt 4000		
Stat	Modification	Date	Name/Proj.		
Date		1dec2011	PSt	Electrical power diagram	
Author					
Approv.					
Releas.				Page: 2	
				Pages: 2	
				Replaces:	
				Replaced by:	

Date: 14.Dec21	Article description: INSTRUCTION-DRYERS-GAS	Article code: 530762	Index G	Page: 3
			Pages: 3	

TAB. 2 - DRYERS - INJECTOR - SETTING-UP - COUNTRIES EXL.EU																									
Parameters	Country of destination (state)	Country code	DRYER capacity (kg) [power (kW)] ----->			9 [12,5]		11 [16,5]		13 [19,5]		2x13 [16,5]		2x13 [19,5]		16 [25]		24 [33]		24 [39]		35 [46]		35 [50]	
			J	M	N	P	1		1		1		1		1		1		2		2		2		2
						R	S	R	S	R	S	R	S	R	S	R	S	R	S	R	S	R	S	R	S
Countries excl. EU	Non EU	Non EU	-	G20	20 (25)	Y		517252	310	310	517225	350	350	517226	380	380	517225	350	350	517226	380	380	517225	350	350
	Non EU	Non EU	-	G25	20 (25)	Y		517252	310	310	517225	350	350	517226	380	380	517225	350	350	517226	380	380	517225	350	350
	Non EU	Non EU	-	G20+G25	20/25	Y		517246	260	260	517250	290	290	517252	310	310	517250	290	290	517252	310	310	517257	360	360
	Non EU	Non EU	-	G30+G31	28-30/37	Y		525465	165	165	517222	200	200	517223	215	215	517222	200	200	517223	215	215	517222	200	200
	Non EU	Non EU	-	G30-G31	30	Y		525465	165	165	517222	200	200	517223	215	215	517222	200	200	517223	215	215	517222	200	200
	Non EU	Non EU	-	G31	37	Y		525465	165	165	517222	200	200	517223	215	215	517222	200	200	517223	215	215	517222	200	200
	Non EU	Non EU	-	G30-G31	50	Y		525466	50	50	517327	37	37	517329	36	36	517327	37	37	517329	36	36	517327	37	37
	Non EU	Non EU	-	G110	8	Y		517337	3,25	3,25	517327	0,96	0,96	517329	1,34	1,34	517327	0,96	0,96	517329	1,34	1,34	517327	0,96	0,96
	Non EU	Non EU	-					520237	650	650	517222	200	200	517223	215	215	517222	200	200	517223	215	215	517222	200	200
	Non EU	Non EU	-					520236	700	700	517222	200	200	517223	215	215	517222	200	200	517223	215	215	517222	200	200

Notes:
 - (TAB. 1) - In case of ambiguity, the bold category for certain country is preferential
 - (TAB. 1) - The nozzles and label for gas conversion are not the part of the machine supply package for gases within one category

Injector overview		Injector code	"d" (mm x 100)
		130	525466
		165	525465
		170	517241
		175	517327
		185	517328
		190	517243
		200	517222
		210	520399
		215	517223
		220	517329
		235	517224
		245	517245
		250	530819
		260	517246
		290	517250
		300	517251
		310	517252
		325	517253
		330	575530
		350	517225
		360	517257
		365	517258
		380	517226
		385	530820
		420	517227
		435	517330
		445	517331
		530	517337
		650	520237
		700	520236

TAB. 4 - DRYERS - CONVERSION STICKERS				
Country of destination (state)	Country code	Sticker language	STICKER CODE	
FRANCE	FR	FR, NL		520310
NETHERLAND	NL	FR, NL		520310
BELGIUM	BE	FR, NL		520310
DENMARK	DK	DK, SE		520316
SWEDEN	SE	DK, SE		520316
GERMANY	DE	DE, ES		520311
AUSTRIA	AT	DE, ES		520311
SWITZERLAND	CH	DE, ES		520311
SWITZERLAND	CH	FR, NL		520310
SWITZERLAND	CH	PT, IT		520313
LUXEMBOURG	LU	DE, ES		520311
LUXEMBOURG	LU	FR, NL		520310
GREAT BRITAIN	GB	GB, IS		520312
IRELAND	IE	GB, IS		520312
MALTA	MT	GB, IS		520312
ICELAND	IS	GB, IS		520312
SPAIN	ES	DE, ES		520311
PORTUGAL	PT	PT, IT		520313
ITALY	IT	PT, IT		520313
FINLAND	FI	FI, NO		520317
NORWAY	NO	FI, NO		520317
GREECE	GR	GR, TR		520322
CYPRUS	CY	GR, TR		520322
CZECH REPUBLIC	CZ	CZ, PL		520314
POLAND	PL	CZ, PL		520314
SLOVAKIA	SK	SK, HU		520315
HUNGARY	HU	SK, HU		520315
SLOVENIA	SI	SI, HR		520318
CROATIA	HR	SI, HR		520318
LATVIA	LV	LV, RU		520321
ESTONIA	EE	EE, LT		520320
LITHUANIA	LT	EE, LT		520320
BULGARIA	BG	BG, RO		520319
ROMANIA	RO	BG, RO		520319
Non EU	Non EU	GB, IS		520312